



1696-2B COUPLING

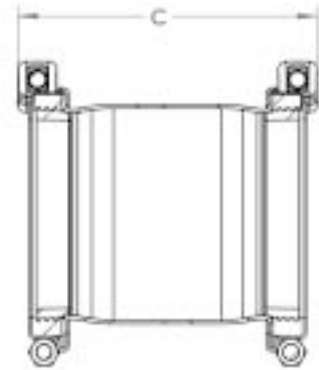
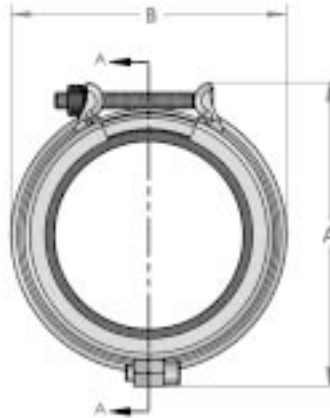


APPLICATIONS:

The **NEW ALL STAINLESS STEEL ROBAR** two bolt coupling can be used to couple dissimilar pipe diameters in the same nominal size group. The coupling comes with a stab-fit design allowing for the use on IPS/HDPE, ductile/PVC and AC pipe without disassembling the coupling. Completely fabricated from stainless steel material minimizing corrosion attacking the coupling.

MATERIAL SPECIFICATIONS:

Center Barrel: T-304 Stainless Steel.
End Rings: T-304 Stainless Steel.
Gaskets: NBR (BUNA N) Rubber.
Fasteners: 5/8" T-304 Stainless Steel.
Torque is 80 ft-lbs



NOMINAL SIZE	OVERALL RANGE	INNER GASKET RANGE	OUTER GASKET RANGE	A	B	C	WEIGHT LBS.
4	4.46 - 5.63	4.46 - 5.03	4.97 - 5.63	9.55	8.90	11.70	17
6	6.56 - 7.63	6.56 - 7.13	7.07 - 7.63	11.95	10.80	11.70	21
8	8.54 - 9.84	8.54 - 9.17	9.13 - 9.84	14.20	12.95	11.70	25

All dimensions are in inches.

Available in Canada only.

Note: - Couplings suitable for 305 PSI working pressure
- Angular deflection up to 7 degrees
- The use of a pipe insert is required when using on HDPE

CAUTION



Couplings do not prevent pipe pullout. Suitable restraint should be used when required.

ROBAR INDUSTRIES LTD.

Surrey, British Columbia
Phone: 1-800-663-6553

Saint-Bruno, Quebec
Phone: 1-800-315-9525

Website: www.robarindustries.com / E-mail: waterworks@robarindustries.com