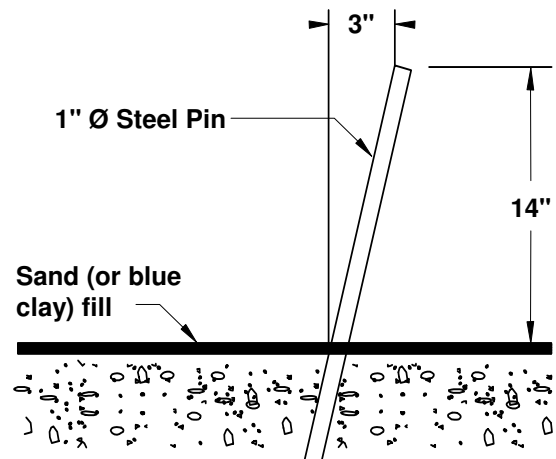
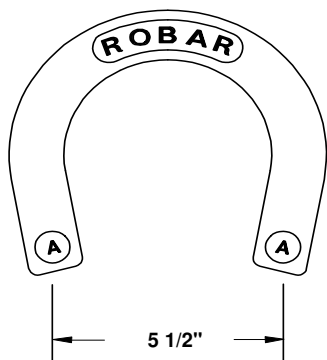


ROBAR

9999 RECREATIONAL HORSESHOES

CAST DUCTILE IRON

PRICE INFORMATION



Maximum Weight is 2-1/2 lbs.
 Two pairs of shoes in a set.
 Each pair is identified as "A" or "B"

HORSESHOE SET CONTAINS:

- 4 Shoes (Two "A" Shoes, Two "B" Shoes)
- Instructions
- Carton suitable for gift wrapping
- NOT INCLUDED:** 2 Steel Horseshoe Stakes
- Shipping Weight: 10 lbs (4.5 kgs) per set

Quantity	Description	Price per Set
1 Set	Robar Horseshoe Set	\$ 49.07
2 to 5 Sets	Robar Horseshoe Sets	\$ 43.03
6 or more Sets	Robar Horseshoe Sets	\$ 39.33

ROBAR INDUSTRIES LTD.

BC Phone (604) 591-8811 / 1-800-663-6553
 Fax (604) 591-5288
 Email: waterworks@robarindustries.com

LES PRODUITS INDUSTRIELS ROBAR INC.

QUEBEC Phone (450) 441-7525 / 1-800-315-9525
 Fax (450) 441-4894
 Web www.Robarindustries.com