



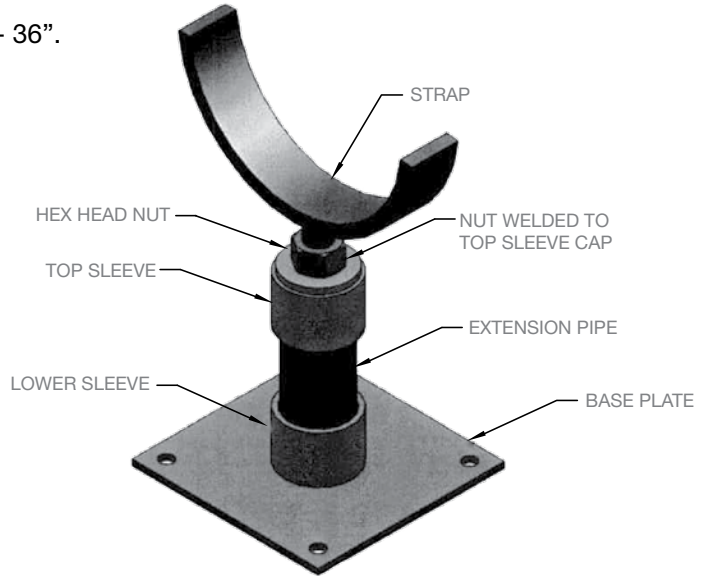
PIPE SUPPORT STAND

APPLICATIONS:

The Robar Pipe Support Cradle stand is available from 2" - 36".

MATERIAL SPECIFICATIONS:

Base Plate:	ASTM A36 Carbon Steel
Sleeve:	ASTM A53 ERW Tubing
Stud:	ASTM A36, Rolled Thread
Coating:	Hot Dip Galvanized
	Optional: Stainless Steel



Note: - All pipe cradle stands are formed to Ductile Iron radius.
 - Extension pipe is not supplied. Customer to supply own 2" schedule 40 pipe and field cut to required length.



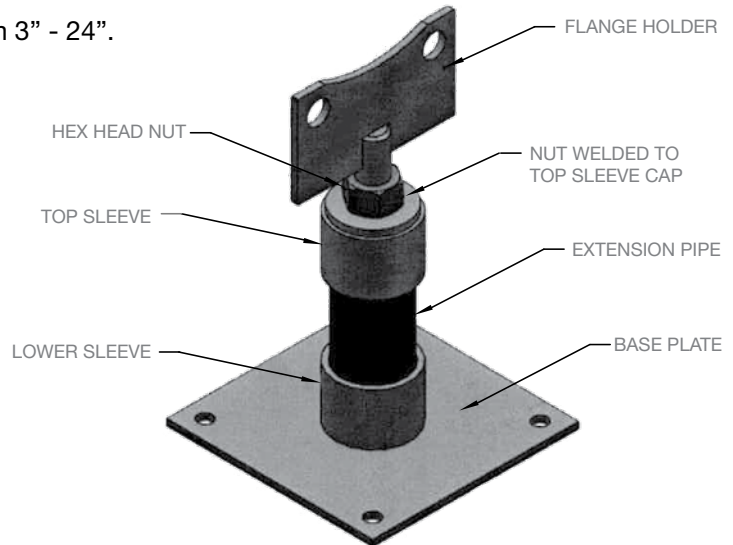
FLANGE SUPPORT STAND

APPLICATIONS:

The Robar Pipe Support Flange stand is available from 3" - 24".

MATERIAL SPECIFICATIONS:

Base Plate:	ASTM A36 Carbon Steel
Sleeve:	ASTM A53 ERW Tubing
Stud:	ASTM A36, Rolled Thread
Coating:	Hot Dip Galvanized
	Optional: Stainless Steel



Note: - Extension pipe is not supplied. Customer to supply own 2" schedule 40 pipe and field cut to required length.

ROBAR INDUSTRIES LTD.

Surrey, British Columbia
 Phone: 1-800-663-6553

Saint-Bruno, Quebec
 Phone: 1-800-315-9525

Website: www.robarindustries.com / E-mail: waterworks@robarindustries.com