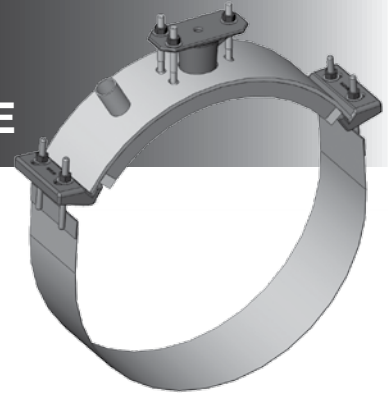




2996

CONCRETE CYLINDER SERVICE SADDLE



APPLICATIONS:

The ROBAR 2996 Service Saddles are designed for making 3/4"-2" IP or CC taps into concrete steel cylinder pipe. The saddle is available from 16" through 36". Larger sizes available upon request. A grout opening is provided on the saddle body for restoring the concrete after the tap is complete.

MATERIAL SPECIFICATIONS:

Top Plate: ASTM A36.
 Outlet: Cast Ductile Iron.
 Strap: T-304L Stainless Steel, fully passivated.
 Optional carbon steel full width back strap.
 Fasteners: 5/8" NC T-304L Stainless Steel studs, rolled threads, nuts coated.
 Coating: Corrosion Protective Epoxy per AWWA C213

HOW TO ORDER:

Determine the actual outside diameter of the concrete and the steel cylinder. Determine outlet size, outlet thread and order by using appropriate ordering code as shown in the following example.

For a 24" nominal concrete cylinder pipe OD made to AWWA C301 dimension with a 2" IP tap, the ordering code is:

2996	-	24"	x	2"	-	29.00"	x	27.00"
product		OD (Nominal)		IP		CONC		Cylinder
number						OD		OD

i.e. **2996 - 24 x 2 IP**
Conc OD= 29.00"
Cylinder OD= 27.00"

Note: Outside diameter of concrete and cylinder are required at time of order.

ROBAR INDUSTRIES LTD.

Surrey, British Columbia
Phone: 1-800-663-6553

Saint-Bruno, Quebec
Phone: 1-800-315-9525

Website: www.robarindustries.com / E-mail: waterworks@robarindustries.com