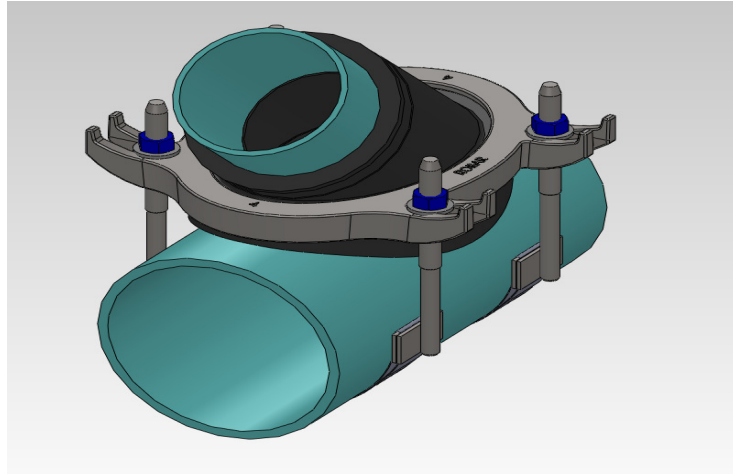


3406 & 3506 SEWER SADDLE

45 degree Outlet
PRICE INFORMATION



Standard Sizes:

6" to 48" Nominal Pipe OD on main line, 4" IPS & SDR inlet line. Sizes other than those specified may be ordered by contacting ROBAR.

Material Specification:

Body: Cast Ductile Iron per ASTM A536

Gasket: SBR per ASTM D2000 formulated with Anti-freezing and anti-ozone agent

Strap: 1-1/2" wide T-304 Stainless steel, 24 gauge, fully passivated

Nominal Pipe Size	Working Range	Strap Length	LIST PRICE	
			3406 Enamel	3506 Epoxy
6" - 10"	6.27" - 12.75"	36"	\$ 161.99	\$ 181.48
12"	12.75" - 14.40"	48"	\$ 171.53	\$ 191.05
14" - 24"	14.40" - 25.80"	96"	\$ 184.52	\$ 204.02
26" - 48"	25.80" - 54.00"	192"	\$ 260.87	\$ 280.37

Must specify when ordering which gasket size is required. 4.21" or 4.50"

HOW TO ORDER:

Determine the product number (3406 or 3506), the OD of sewer main and the actual OD of the branch, then order by using the appropriate ordering code as shown in the following example.

If a 4" branch (4.50"OD) off a 12" HDPE sewer main is required, the ordering code is:

3506 - 12.75" x 4.50"

ROBAR INDUSTRIES LTD.

BC Phone (604) 591-8811 / 1-800-663-6553
 Fax (604) 591-5288
 Email: waterworks@robarindustries.com

LES PRODUITS INDUSTRIELS ROBAR INC.

QUEBEC Phone (450) 441-7525 / 1-800-315-9525
 Fax (450) 441-4894
 Web: www.Robarindustries.com