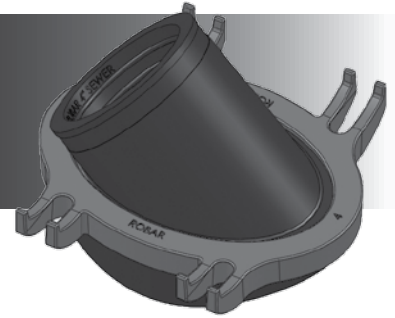




3406/3506 SEWER SADDLE



APPLICATIONS:

The ROBAR Sewer Saddle allows a 4" inlet branch to be taken off the main sewer line at a 45 degree angle. Available thru 48" nominal sizes.

MATERIAL SPECIFICATIONS:

Body: Ductile Iron.
 Cast Strap: 1 1/2" wide T-304 Stainless Steel, 24 gauge. Fully passivated.
 Bolts & Nuts: T-304 Stainless Steel. Nuts coated with anti-galling compound.
 Gasket: SBR (Buna S).
 Coating: 3406 - Two coats of enamel.
 3506 - Corrosion Protective epoxy coated.

HOW TO ORDER:

Determine the product number (3406), the OD of sewer main and the actual OD of the branch, then order by using the appropriate ordering code as shown in the following example.

f a 4" branch (4.50" OD) off of a 12" HDPE sewer main is required, the ordering code is:

3406 - 12.75" x 4.50" i.e. **3406 - 12.75 x 4.50**
 product main OD branch OD
 number

MAIN SIZE (ACTUAL PIPE OD)	BRANCH SIZE (ACTUAL PIPE OD)	RUBBER BOOT SIZE (MARKINGS)	CAST BODY	STRAP LENGTH
6"- 10" (6.27"- 12.75")	4" SDR 35 (4.215")	6"- 12"	WINGED BODY (4L)	36"
	4" IPS (4.5")			
12" (12.75"- 14.40")	4" SDR 35 (4.215")	6"- 12"	STANDARD BODY (4")	48"
	4" IPS (4.5")			
14"- 24"(14.40"- 25.80")	4" SDR 35 (4.215")	14" - 48"	STANDARD BODY (4")	96"
	4" IPS (4.5")			
24"- 48" (25.80"- 54.00")	4" SDR 35 (4.215")	14" - 48"	STANDARD BODY (4")	192"
	4" IPS (4.5")			

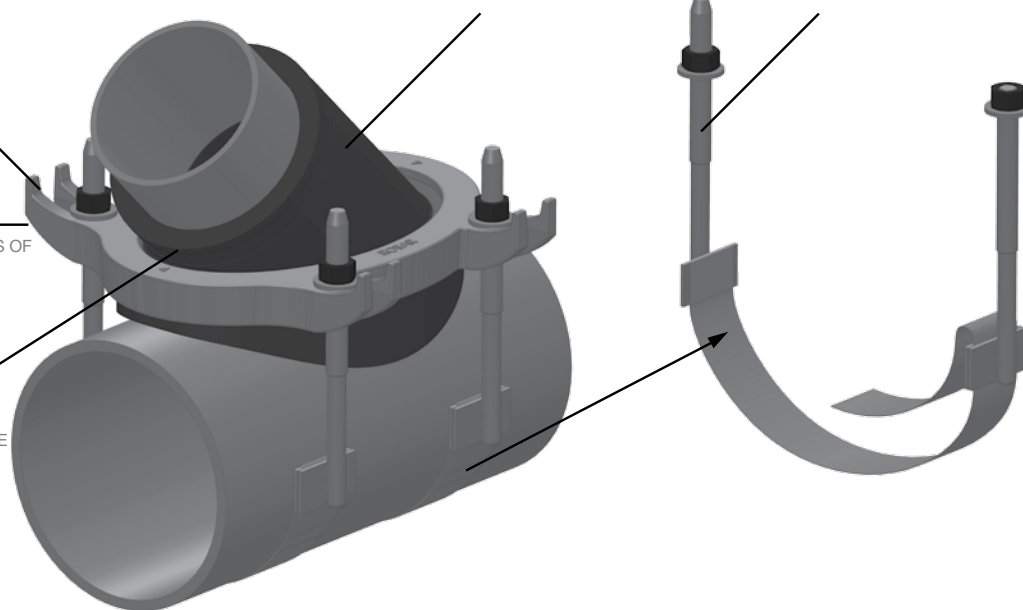
CASTING: CAST DUCTILE IRON PER ASTM A536

SADDLE BODY: SBR (BUNA S) PER ASTM D2000. FORMULATED WITH ANTI-FREEZING AND ANTI-OZONE AGENT

STRAP: T-304 STAINLESS STEEL, FULLY PASSIVATED. ADJUSTABLE TO ACCOMMODATE A LARGE RANGE OF PIPE SIZES

COATING: TWO COATS OF ENAMEL OR FUSION BONDED EPOXY

STAINLESS STEEL HOSE CLAMP GROOVE



Note: - Maximum 15 PSI working pressure

ROBAR INDUSTRIES LTD.

Surrey, British Columbia
 Phone: 1-800-663-6553

Saint-Bruno, Quebec
 Phone: 1-800-315-9525

Website: www.robarindustries.com / E-mail: waterworks@robarindustries.com