



TAPPING SLEEVES





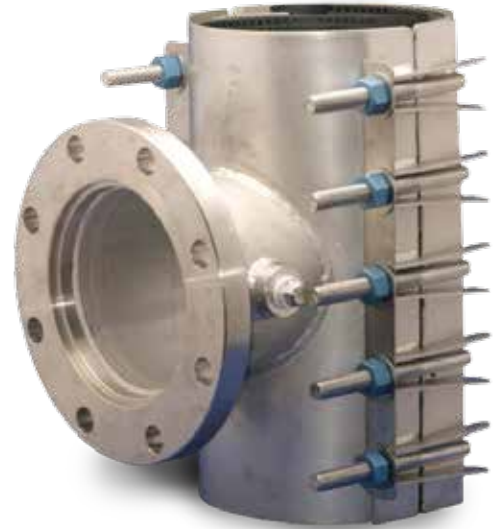
ALL STAINLESS STEEL TAPPING SLEEVE

ROBAR 6606 – All Stainless Steel Tapping Sleeve

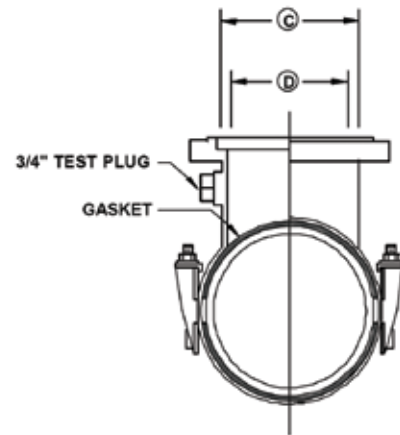
ROBAR 6606 Tapping Sleeves are used for “WET” or “HOT” tapping. Outlet options include size on size for 4” through 12” nominal pipe. Used on Steel, Ductile Iron, C900, A/C pipe. Note: Not for use on Concrete Cylinder pipe or hot tapping on HDPE.

Material Specifications:

- Shell: T304 Stainless Steel, fully passivated*.
- Fasteners: 5/8” NC T304 Stainless Steel. Nuts coated with anti-galling compound. Torque is 70-80 ft. lbs.
- Gaskets: *Ringseal:* NBR (Buna N) Rubber.
Liner: SBR (Buna S) Rubber. Full wrap around.
- Test Plug: 3/4” NPT Stainless Steel.
- Flange: T304 Stainless Steel*, as per AWWA C-207 Class D.
- Outlet Pipe: T304 Stainless Steel, fully passivated*.

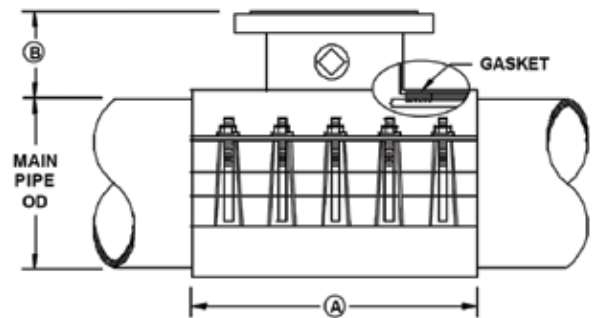


- Full wrap gaskets
- Finger/stud & lifter closures
- Rated for 150 psi working pressure (For higher pressures contact Robar)



TAPPING SLEEVE DATA						
Nominal Outlet Size	A	B	C (Dia.)	D (Dia.)	Bolt Qty.	Bolt Size
4	12	4	5 1/32	4 1/2	8	5/8
6	16	4 1/2	7 1/32	6 1/2	10	5/8
8	20	5	9 1/32	8 1/2	14	5/8
10	20	5 1/2	11 1/32	10 7/16	14	5/8
12	24	5 3/4	13 1/32	12 7/16	16	5/8

All dimensions are in inches.



Note: * Refers to chemically treating Stainless Steel after welding (“Pickled/Passivated”) to return it to its original appearance.
– For size on size tapping an undersize cutter is used.



ALL STAINLESS STEEL TAPPING SLEEVE

ROBAR 6606BB – All Stainless Steel Tapping Sleeve

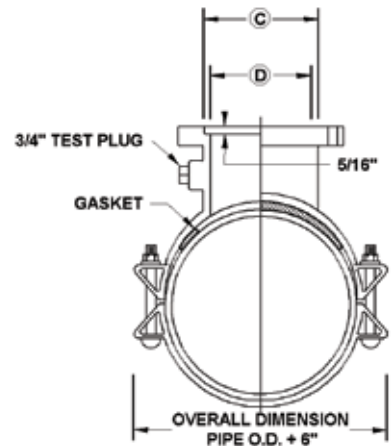
ROBAR 6606BB Tapping Sleeves are used for “WET” or “HOT” tapping. Outlet options include size on size for 4” through 12” nominal pipe. Used on Steel, Ductile Iron, C900, A/C pipe. Note: Not for use on Concrete Cylinder pipe or hot tapping on HDPE. Complete with bolt bracket and loose bolts.

Material Specifications:

- Shell: T304 Stainless Steel, fully passivated*.
- Fasteners: 5/8” NC T304 Stainless Steel. Nuts coated with anti-galling compound. Torque is 70-80 ft. lbs.
- Gaskets: *Ringseal:* NBR (Buna N) Rubber.
Liner: SBR (Buna S) Rubber. Full wrap around.
- Test Plug: 3/4” NPT Stainless Steel.
- Flange: T304 Stainless Steel*, as per AWWA C-207, Class D.
- Outlet Pipe: T304 Stainless Steel, fully passivated*.

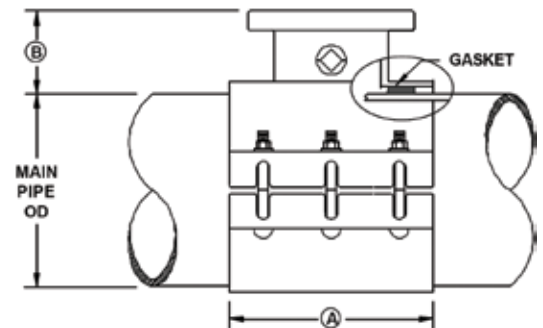


- Full wrap gaskets
- Boltbracket loose bolt closures
- Rated for 150 psi working pressure (For higher pressures contact Robar)



TAPPING SLEEVE DATA						
Nominal Outlet Size	A	B	C (Dia.)	D (Dia.)	Bolt Qty.	Bolt Size
4	12	4	5 1/32	4 1/2	8	5/8
6	16	4 1/2	7 1/32	6 1/2	10	5/8
8	20	5	9 1/32	8 1/2	14	5/8
10	20	5 1/2	11 1/32	10 7/16	14	5/8
12	24	5 3/4	13 1/32	12 7/16	16	5/8

All dimensions are in inches.



Note: * Refers to chemically treating Stainless Steel after welding (“Pickled/Passivated”) to return it to its original appearance.
 – For size on size tapping an undersize cutter is used.



STAINLESS STEEL TAPPING SLEEVE

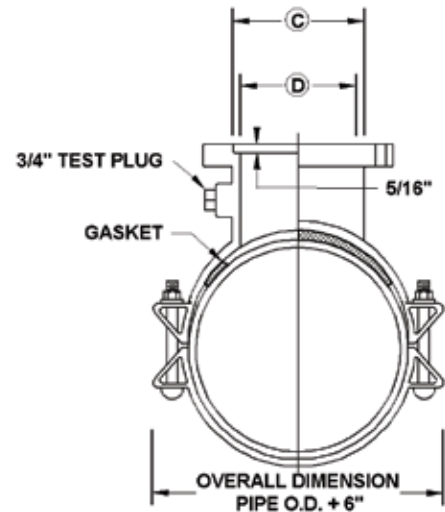
ROBAR 6606CSF – Stainless Steel Tapping Sleeve with Epoxy Coated Steel Flange

ROBAR 6606CSF Tapping Sleeves are used for “WET” or “HOT” tapping. Outlet options include size on size for 4” through 12” nominal pipe. Used on Steel, Ductile Iron, C900, A/C pipe. Note: Not for use on Concrete Cylinder pipe or hot tapping on HDPE.

Material Specifications:

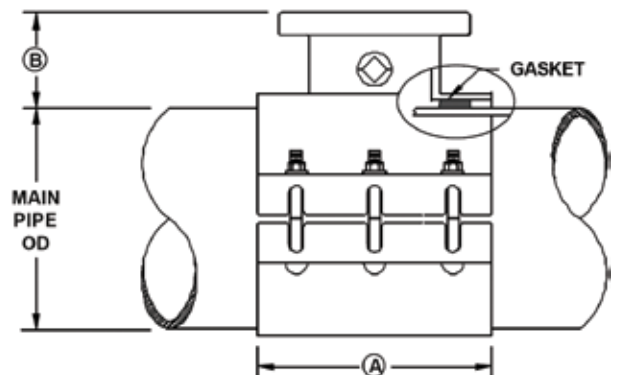
- Shell: T304 Stainless Steel, fully passivated*.
- Fasteners: 5/8” NC T304 Stainless Steel. Nuts coated with anti-galling compound.
Torque is 70-80 ft. lbs.
- Gaskets: *Ringseal:* NBR (Buna N) Rubber.
Liner: SBR (Buna S) Rubber. Full wrap around.
- Test Plug: 3/4” NPT Stainless Steel.
- Flange: Epoxy coated Forged Steel, as per AWWA C-207, Class D.
- Outlet Pipe: T304 Stainless Steel, fully passivated*.

Full wrap gaskets
Available in Boltbracket loose bolt or finger/stud & lifter bar closures
Rated for 150 psi working pressure (For higher pressures contact Robar)



TAPPING SLEEVE DATA						
Nominal Outlet Size	A	B	C (Dia.)	D (Dia.)	Bolt Qty.	Bolt Size
4	12	4	5 1/32	4 1/2	8	5/8
6	16	4 1/2	7 1/32	6 1/2	10	5/8
8	20	5	9 1/32	8 1/2	14	5/8
10	20	5 1/2	11 1/32	10 7/16	14	5/8
12	24	5 3/4	13 1/32	12 7/16	16	5/8

All dimensions are in inches.



Note: * Refers to chemically treating Stainless Steel after welding (“Pickled/Passivated”) to return it to its original appearance.
– For size on size tapping an undersize cutter is used.



STAINLESS STEEL OUTLET SLEEVE

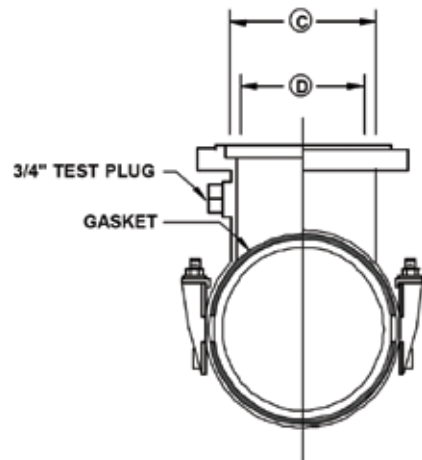
ROBAR 6626 – Stainless Steel Outlet Sleeve

ROBAR 6626 Outlet Sleeves are used for “DRY TAP” applications. Outlet options are 3” through 12” including size on size for 6” and 8”. Particularly suited for use on High Density Polyethylene (HDPE).

Material Specifications:

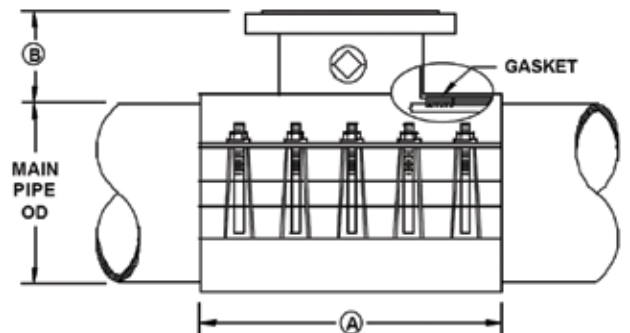
- Shell: T304 Stainless Steel, fully passivated*.
- Fasteners: 5/8” NC T304 Stainless Steel,
Rolled threads. Nuts coated with anti-galling compound.
Torque is 70-80 ft. lbs.
- Gaskets: *Ringseal:* NBR (Buna N) Rubber.
Liner: SBR (Buna S) Rubber.
- Flange: T304 Stainless Steel, as per AWWA C-207, Class D.
- Outlet: T304 Stainless Steel*.

- No test plug
- Finger/Stud and lifter closure
- Rated for 150 psi working pressure (*For higher pressures contact Robar*)



TAPPING SLEEVE DATA						
Nominal Outlet Size	A	B	C (Dia.)	D (Dia.)	Bolt Qty.	Bolt Size
4	12	4	5 1/32	4 1/2	8	5/8
6	16	4 1/2	7 1/32	6 1/2	10	5/8
8	20	5	9 1/32	8 1/2	14	5/8
10	20	5 1/2	11 1/32	10 7/16	14	5/8
12	24	5 3/4	13 1/32	12 7/16	16	5/8

All dimensions are in inches.



Note: * Refers to chemically treating Stainless Steel after welding (“Pickled/Passivated”) to return it to its original appearance.
 – For size on size tapping an undersize cutter is used.



MILD STEEL TAPPING SLEEVE

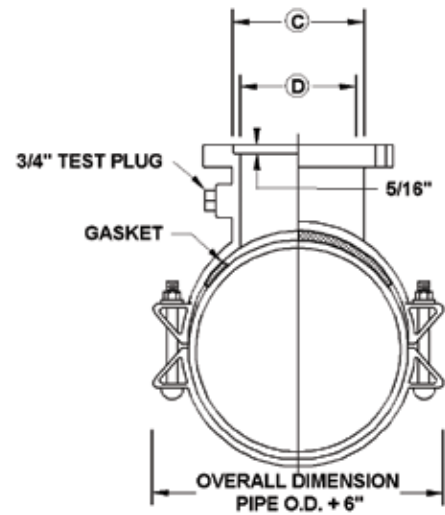
ROBAR 6906 – Mild Steel Tapping Sleeve

ROBAR 6906 Tapping Sleeves are used to make a branch outlet off a main supply line on Steel, Ductile Iron, Cast Iron, Asbestos Cement and C900 pipe. Not recommended for Concrete Pressure pipe or HDPE.

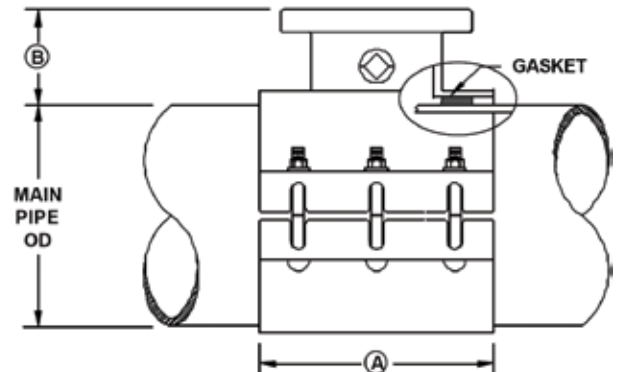
Material Specifications:

- Body: *Shell:* Carbon Steel.
- Outlet Pipe:* Schedule 40 Mild Steel or equivalent.
- Flange: Carbon Steel, as per AWWA C-207, Class D.
- Fasteners: 3/4" NCT304 Stainless Steel. Nuts coated with anti-galling compound.
Torque is 80 ft. lbs.
- Gaskets: NBR (Buna N) Rubber.
- Test Plug: 3/4" NPT Mild Steel.
- Coatings: Corrosion Protective Epoxy coating.

Rated for 150 psi working pressure (For higher pressures contact Robar)



Tapping Sleeve Data						
Nominal Outlet Size	A	B	C (Dia.)	D (Dia.)	Bolt Qty.	Bolt Size
4	12	5.19	5.06	4	6	3/4
6	12	5.63	7.06	6	6	3/4
8	16	6.00	9.06	8	8	3/4
10	20	6.50	11.06	10	10	3/4
12	20	6.75	13.06	12	10	3/4



Note: – For size on size tapping an undersize cutter is used.
– Also available with shop coat & HSLA bolts/nuts (6808).



CAST DUCTILE IRON TAPPING SLEEVE

ROBAR 6506 – Cast Ductile Iron Tapping Sleeve

ROBAR 6506 Tapping Sleeves are used to make a branch outlet off a main supply line on Ductile or Cast Iron pipe only. The outside diameters of Ductile Iron and Cast Iron are within the working range of this tapping sleeve.

Material Specifications:

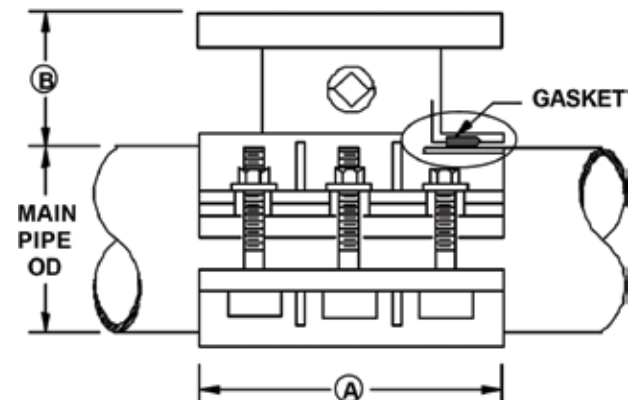
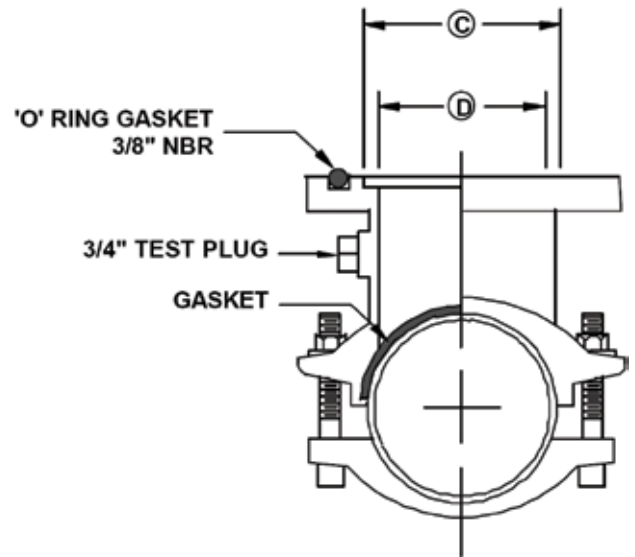
Body: Cast Ductile Iron.
 Flange: Cast Ductile Iron, 150 lb. Drilling.
 Gaskets: NBR (Buna N) Rubber, c/w O-Ring.
 Fasteners: 3/4" NC T304 Stainless Steel.
 Nuts coated with anti-galling compound.
 Torque is 75-80 ft. lbs.
 Test Plug: 3/4" NPT Mild Steel.
 Coating: Corrosion Protective Epoxy coating.



Nominal Pipe Size	Ordering Code*	Approximate Shipping Weight		Working Range
		Lbs.	Kg.	
4 x 4	PN - 4" x 4" x OD	39	17.1	4.74 - 5.10
6 x 4	PN - 6" x 4" x OD	45	20.4	6.86 - 7.10
6 x 6	PN - 6" x 6" x OD	51	23.1	6.86 - 7.10
8 x 4	PN - 8" x 4" x OD	64	29.0	8.99 - 9.30
8 x 6	PN - 8" x 6" x OD	68	30.9	8.99 - 9.30
8 x 8	PN - 8" x 8" x OD	80	36.4	8.99 - 9.30

Note: *PN stands for the Product Number (6404, etc.).

NOMINAL PIPE SIZE	OUTLET SIZE	A SLEEVE LENGTH	B FLANGE HEIGHT	C SPIGOT OD	D BRANCH ID	NUMBER OF BOLTS	BOLT SIZE
4	4	8	3 5/8	5 1/32	4 3/8	6	3/4
6	4	8 1/2	3 5/8	5 1/32	4 3/8	6	3/4
	6	8 1/2	3 5/8	7 1/32	6 3/8	6	3/4
8	4	9 1/2	3 3/4	5 1/32	4 3/8	6	3/4
	6	9 1/2	3 3/4	7 1/32	6 3/8	6	3/4
	8	9 1/2	3 3/4	9 1/32	8 3/8	6	3/4



Note: – Not recommended for use on Plastic pipe (PVC or HDPE) or Asbestos Cement pipe.
 – Also available with shop coat & HSLA bolts (6404).



CONCRETE CYLINDER PIPE TAPPING SLEEVE

ROBAR 6898 / 6996 – Concrete cylinder pipe tapping sleeve

ROBAR 6898 or 6996 Concrete Cylinder Pipe Tapping Sleeves complement our existing line of Tapping Sleeves. These fabricated sleeves are designed to reinforce the concrete cylinder pipe when the structural wires are cut and have the additional benefit of being able to be very easily installed.

Material Specifications:

Body: Carbon Steel plate (ASTM A-36)
Flange: Drilled and faced per ASA 150 lb. standards.
Other drillings available. AWWA C207.
Gaskets: NBR (Buna N) Rubber (AWWA C111).
Fasteners: 3/4" NC low alloy (AWWA C111). Torque to 75 ft. lbs.
Coating: Two coats of enamel.



*A fully integrated foundry and manufacturing facility.
Designing, Engineering and Manufacturing.*

ROBAR INDUSTRIES LTD.

www.robarindustries.com
waterworks@robarindustries.com

SURREY

12945 – 78th Avenue
Surrey, BC V3W 2X8
Telephone 604.591.8811
Toll Free 1.800.663.6553
Fax 604.591.5288

SAINT-BRUNO

1475 Rue Marie Victorin
Saint-Bruno, QC J3V 6B7
Telephone 450.641.9525
Toll Free 1.800.315.9525
Fax 450.641.4894