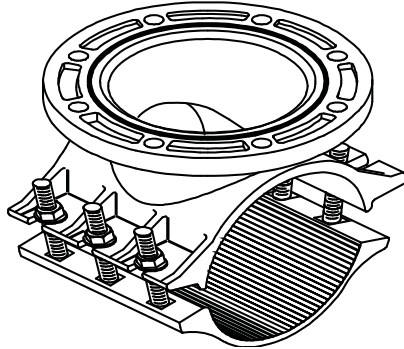
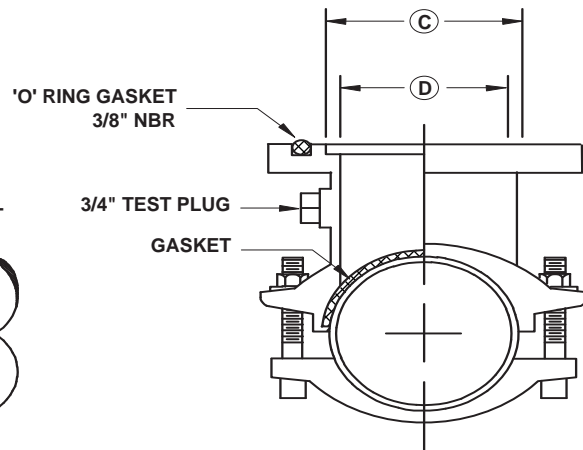
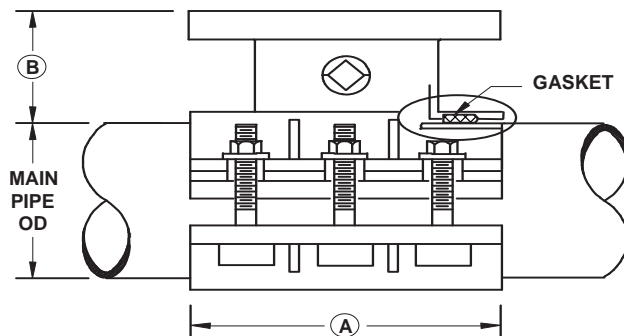


6404 & 6506 TAPPING SLEEVES

CAST DUCTILE IRON
PRICE INFORMATION



Nominal Pipe Size	Working Range	Ordering Code	List Price	
			Enamel	Epoxy
			6404	6506
4 x 4	4.74 - 5.10	PN - 4" x 4" x OD	\$ 558.36	\$ 754.51
6 x 4	6.86 - 7.10	PN - 6" x 4" x OD	\$ 575.39	\$ 778.13
6 x 6	6.86 - 7.10	PN - 6" x 6" x OD	\$ 717.49	\$ 883.40
8 x 4	8.99 - 9.30	PN - 8" x 4" x OD	\$ 615.01	\$ 816.97
8 x 6	8.99 - 9.31	PN - 8" x 6" x OD	\$ 640.59	\$ 885.32
8 x 8	8.99 - 9.32	PN - 8" x 8" x OD	\$ 854.00	\$ 1,086.24



Nominal Size	Outlet Size	Sleeve Length	Flange Height (B)	Spigot OD	Branch ID (D)	Number of Bolts	Bolt Size
4"	4	8	3 5/8	5 1/32	4 3/8	6	3/4
6"	4	8 1/2	3 5/8	5 1/32	4 3/8	6	3/4
	6	8 1/2	3 5/8	7 1/32	6 3/8	6	3/4
8"	4	8 1/2	3 3/4	5 1/32	4 3/8	6	3/4
	6	8 1/2	3 3/4	7 1/32	6 3/8	6	3/4
	8	8 1/2	3 3/4	9 1/32	8 3/8	6	3/4

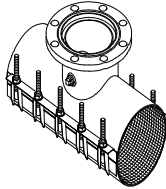
Note: **PN** stands for Product Number (6404, 6506)

ROBAR INDUSTRIES LTD.

BC Phone (604) 591-8811 / 1-800-663-6553
 Fax (604) 591-5288
 Email waterworks@robarindustries.com

LES PRODUITS INDUSTRIELS ROBAR INC.

QUEBEC Phone (450) 441-7525 / 1-800-315-9525
 Fax (450) 441-4894
 Web www.Robarindustries.com



6606 TAPPING SLEEVES

STAINLESS STEEL
PRICE INFORMATION

Nominal Pipe Size	By x	Outlet Size	LIST PRICE	Fitting Length	Number of Bolts	Working Range	
						LOW	HIGH
4"	x	3	\$ 927.44	12	8	4.70	4.95
		4	\$ 927.44	12	8	4.95	5.20
6"	x	3	\$ 927.44	12	8	6.40	6.80
		4	\$ 927.44	12	8	6.80	7.20
6"	x	6	\$ 1,267.95	16	10	6.75	7.00
						6.85	7.10
						7.00	7.25
						7.25	7.50
8"	x	3	\$ 936.77	12	8	8.40	8.80
		4	\$ 936.77	12	8	8.80	9.20
		6	\$ 1,138.76	16	10	9.20	9.60
8"	x	8	\$ 1,832.43	20	12	8.95	9.20
						9.25	9.50
10"	x	3	\$ 979.27	12	8	10.55	10.95
		4	\$ 979.27	12	8	10.90	11.30
		6	\$ 1,258.73	16	10	11.30	11.70
		8	\$ 1,796.09	20	14	11.90	12.30
		10	\$ 2,273.73	20	14		
12"	x	3	\$ 1,059.44	12	8	12.15	12.55
		4	\$ 1,059.44	12	8	12.55	12.95
		6	\$ 1,362.22	16	10	13.00	13.40
		8	\$ 1,925.54	20	14	13.40	13.80
		10	\$ 2,224.58	20	14	13.80	14.20
		12	\$ 3,140.51	24	16		
14"	x	3	\$ 1,153.35	12	8	15.10	15.50
		4	\$ 1,153.35	12	8	15.50	15.90
		6	\$ 1,484.27	16	10	15.80	16.20
		8	\$ 2,078.07	20	14	16.20	16.60
		10	\$ 2,388.85	20	14		
		12	\$ 3,361.26	24	16		

All dimensions are in inches
Continued...

Note: Size on size for IPS OD is not available
When ordering a 6606 tapping sleeve, price is determined by the flange size and not by working range.
The working range is only a guideline, other ranges can be fabricated

ROBAR INDUSTRIES LTD.

BC Phone (604) 591-8811 / 1-800-663-6553
Fax (604) 591-5288
Email waterworks@robarindustries.com

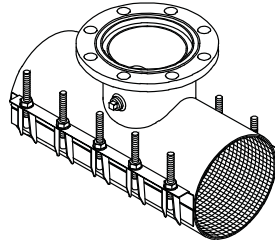
LES PRODUITS INDUSTRIELS ROBAR INC.

QUEBEC Phone (450) 441-7525 / 1-800-315-9525
Fax (450) 441-4894
Web www.Robarindustries.com



6606 TAPPING SLEEVES

STAINLESS STEEL
PRICE INFORMATION



Nominal Pipe Size	By x	Outlet Size	LIST PRICE	Fitting Length	Number of Bolts	Working Range	
						LOW	HIGH
16"	x	3	\$1,213.38	12	8	17.20	17.60
		4	\$1,213.38	12	8	17.40	17.80
		6	\$1,561.99	16	10	17.80	18.20
		8	\$2,175.26	20	14	18.40	18.80
		10	\$2,483.23	20	14	18.80	19.20
		12	\$3,468.00	24	16		
18"	x	3	\$1,303.67	12	12	19.30	19.70
		4	\$1,303.67	12	12	19.80	20.20
		6	\$1,679.07	16	15	20.20	20.60
		8	\$2,321.53	20	21		
		10	\$2,620.65	20	21		
		12	\$3,574.70	24	24		
20"	x	3	\$1,333.35	12	12	21.40	21.80
		4	\$1,333.35	12	12	22.00	22.40
		6	\$1,717.48	16	15	22.60	23.00
		8	\$2,369.62	20	21		
		10	\$2,672.19	20	21		
		12	\$3,681.53	24	24		
24"	x	3	\$1,483.73	12	12	23.20	23.60
		4	\$1,483.73	12	12	23.80	24.20
		6	\$1,912.31	16	15	25.60	26.00
		8	\$2,613.09	20	21		
		10	\$2,931.60	20	21		
		12	\$3,894.84	24	24		

All dimensions are in inches

Note: When ordering a 6606 tapping sleeve, price is determined by the flange size and not by working range.
The working range is only a guideline, other ranges can be fabricated

ROBAR INDUSTRIES LTD.

BC Phone (604) 591-8811 / 1-800-663-6553
 Fax (604) 591-5288
 Email waterworks@robarindustries.com

LES PRODUITS INDUSTRIELS ROBAR INC.

QUEBEC Phone (450) 441-7525 / 1-800-315-9525
 Fax (450) 441-4894
 Web www.Robarindustries.com



6606 BOLT BRACKET TAPPING SLEEVES

STAINLESS STEEL
PRICE INFORMATION

Nominal Pipe Size	By x	Outlet Size	LIST PRICE	Fitting Length	Number of Bolts	Working Range	
						LOW	HIGH
6"	x	4	\$ 1,144.93	12	8	6.40	6.80
						6.80	7.20
						7.20	7.60
6"	x	6	\$ 1,534.52	16	10	6.75	7.00
						6.85	7.10
						7.00	7.25
						7.25	7.50
8"	x	3	\$ 1,275.32	12	8	8.40	8.80
		4	\$ 1,275.32	12	8	8.80	9.20
		6	\$ 1,522.05	16	10	9.20	9.60
8"	x	8	\$ 2,136.00	20	12	8.95	9.20
						9.25	9.50
10"	x	3	\$ 1,226.98	12	8	10.55	10.95
		4	\$ 1,226.98	12	8	10.90	11.30
		6	\$ 1,627.04	16	10	11.30	11.70
		8	\$ 2,102.42	20	14	11.90	12.30
		10	\$ 2,659.81	20	14		
12"	x	3	\$ 1,312.68	12	8	12.15	12.55
		4	\$ 1,312.68	12	8	12.55	12.95
		6	\$ 1,738.16	16	10	13.00	13.40
		8	\$ 2,245.28	20	14	13.40	13.80
		10	\$ 2,580.52	20	14	13.80	14.20
		12	\$ 3,571.37	24	16		
14"	x	3	\$ 1,412.69	12	8	15.10	15.50
		4	\$ 1,412.69	12	8	15.50	15.90
		6	\$ 1,858.59	16	10	15.80	16.20
		8	\$ 2,407.42	20	14	16.20	16.60
		10	\$ 2,779.77	20	14		
		12	\$ 3,818.18	24	16		

All dimensions are in inches

Continued...

Note: Size on size for IPS OD is not available

When ordering a 6606BB tapping sleeve, price is determined by the flange size and not by working range.

The working range is only a guideline, other ranges can be fabricated

ROBAR INDUSTRIES LTD.

BC Phone (604) 591-8811 / 1-800-663-6553
Fax (604) 591-5288
Email waterworks@robarindustries.com

LES PRODUITS INDUSTRIELS ROBAR INC.

QUEBEC Phone (450) 441-7525 / 1-800-315-9525
Fax (450) 441-4894
Web www.Robarindustries.com



6606 BOLT BRACKET TAPPING SLEEVES

STAINLESS STEEL
PRICE INFORMATION

Nominal Pipe Size	By x	Outlet Size	LIST PRICE	Fitting Length	Number of Bolts	Working Range	
						LOW	HIGH
16"	x	3	\$ 1,476.17	12	8	17.20	17.60
		4	\$ 1,476.17	12	8	17.40	17.80
		6	\$ 1,937.94	16	10	17.80	18.20
		8	\$ 2,510.61	20	14	18.40	18.80
		10	\$ 2,862.26	20	14	18.80	19.20
		12	\$ 3,964.21	24	16		
18"	x	3	\$ 1,722.11	12	12	19.30	19.70
		4	\$ 1,722.11	12	12	19.80	20.20
		6	\$ 2,075.60	16	15	20.20	20.60
		8	\$ 2,608.57	20	21		
		10	\$ 3,037.21	20	21		
		12	\$ 4,000.73	24	24		
20"	x	3	\$ 1,753.10	12	12	21.40	21.80
		4	\$ 1,753.10	12	12	22.00	22.40
		6	\$ 2,116.03	16	15	22.60	23.00
		8	\$ 2,658.42	20	21		
		10	\$ 3,142.42	20	21		
		12	\$ 4,128.13	24	24		
24"	x	3	\$ 1,908.44	12	12	23.20	23.60
		4	\$ 1,908.44	12	12	23.80	24.20
		6	\$ 2,456.52	16	15	25.60	26.00
		8	\$ 3,087.51	20	21		
		10	\$ 3,277.57	20	21		
		12	\$ 4,413.49	24	24		

All dimensions are in inches

Note: When ordering a 6606BB tapping sleeve, price is determined by the flange size and not by working range.

The working range is only a guideline, other ranges can be fabricated

ROBAR INDUSTRIES LTD.

BC Phone (604) 591-8811 / 1-800-663-6553
 Fax (604) 591-5288
 Email waterworks@robarindustries.com

LES PRODUITS INDUSTRIELS ROBAR INC.

QUEBEC Phone (450) 441-7525 / 1-800-315-9525
 Fax (450) 441-4894
 Web www.Robarindustries.com



Stainless Steel MJ Tapping Sleeves

6606MJ, 6606MJBB, 6606CSMJ, 6606CSMJBB

PRICE INFORMATION

Nominal Pipe Size	By x	Outlet Size	LIST PRICE				Fitting Length	Number of Bolts	Working Range	
			6606 MJ	6606 CSMJ	6606 MJBB	6606 CSMJBB			LOW	HIGH
6"	x	3	\$ 1,089.47	\$ 794.11	\$ 1,307.37	\$ 1,011.99	12	8	6.40	6.80
		4	\$ 1,089.47	\$ 794.11	\$ 1,307.37	\$ 1,011.99	12	8	6.80	7.20
6"	x	6	\$ 1,392.10	\$ 1,060.42	\$ 1,659.63	\$ 1,326.74	16	10	7.20	7.60
									6.75	7.00
									6.85	7.10
									7.00	7.25
8"	x	3	\$ 1,101.57	\$ 819.52	\$ 1,440.52	\$ 1,037.42	12	8	8.40	8.80
		4	\$ 1,101.57	\$ 819.52	\$ 1,440.52	\$ 1,037.42	12	8	8.80	9.20
		6	\$ 1,452.63	\$ 1,095.53	\$ 1,836.36	\$ 1,358.21	16	10	9.20	9.60
8"	x	8	\$ 1,961.04	\$ 1,450.21	\$ 2,263.67	\$ 1,754.05	20	12	8.95	9.20
10"	x	3	\$ 1,131.84	\$ 847.37	\$ 1,380.00	\$ 1,060.42	12	8	9.25	9.50
		4	\$ 1,131.84	\$ 847.37	\$ 1,380.00	\$ 1,060.42	12	8	10.55	10.95
		6	\$ 1,498.63	\$ 1,130.63	\$ 1,867.84	\$ 1,378.79	16	10	10.90	11.30
		8	\$ 2,033.68	\$ 1,508.32	\$ 2,341.15	\$ 1,814.58	20	14	11.30	11.70
		10	\$ 2,312.10	\$ 1,597.89	\$ 2,698.25	\$ 1,984.05	20	14	11.90	12.30
12"	x	3	\$ 1,186.32	\$ 878.84	\$ 1,440.52	\$ 1,089.47	12	8		
		4	\$ 1,186.32	\$ 878.84	\$ 1,440.52	\$ 1,089.47	12	8	12.15	12.55
		6	\$ 1,543.42	\$ 1,177.84	\$ 1,919.89	\$ 1,493.78	16	10	12.55	12.95
		8	\$ 2,063.95	\$ 1,542.21	\$ 2,384.73	\$ 1,861.79	20	14	13.00	13.40
		10	\$ 2,396.84	\$ 1,646.31	\$ 2,753.94	\$ 2,002.20	20	14	13.40	13.80
		12	\$ 3,268.41	\$ 2,118.42	\$ 3,699.36	\$ 2,549.36	24	16	13.80	14.20
14"	x	3	\$ 1,301.31	\$ 959.94	\$ 1,561.58	\$ 1,170.58	12	8		
		4	\$ 1,301.31	\$ 959.94	\$ 1,561.58	\$ 1,170.58	12	8	15.10	15.50
		6	\$ 1,670.53	\$ 1,300.10	\$ 2,045.79	\$ 1,589.42	16	10	15.50	15.90
		8	\$ 2,239.47	\$ 1,700.79	\$ 2,569.94	\$ 2,030.04	20	14	15.80	16.20
		10	\$ 2,520.31	\$ 1,778.26	\$ 2,911.31	\$ 2,169.26	20	14	16.20	16.60
		12	\$ 3,489.94	\$ 2,277.00	\$ 3,947.51	\$ 2,733.36	24	16		

All dimensions are in inches

Continued...

Note: Size on size for IPS OD is not available

When ordering a 6606 tapping sleeve, price is determined by the flange size and not by working range.

The working range is only a guideline, other ranges can be fabricated

ROBAR INDUSTRIES LTD.

BC Phone (604) 591-8811 / 1-800-663-6553
 Fax (604) 591-5288
 Email waterworks@robarindustries.com

LES PRODUITS INDUSTRIELS ROBAR INC.

QUEBEC Phone: (450) 441-7525/1-800-315-9525
 Fax: (450) 441-4894
 Web: www.Robarindustries.com



Stainless Steel MJ Tapping Sleeves

6606MJ, 6606MJBB, 6606CSMJ, 6606CSMJBB

Price Information

Nominal Pipe Size	By x	Outlet Size	LIST PRICE				Fitting Length	Number of Bolts	Working Range	
			6606 MJ	6606 CSMJ	6606 MJBB	6606 CSMJBB			LOW	HIGH
16"	x	3	\$ 1,346.10	\$ 992.62	\$ 1,610.00	\$ 1,196.00	12	8	17.20	17.60
		4	\$ 1,346.10	\$ 992.62	\$ 1,610.00	\$ 1,196.00	12	8	17.40	17.80
		6	\$ 1,743.16	\$ 1,347.32	\$ 2,119.62	\$ 1,649.95	16	10	17.80	18.20
		8	\$ 2,299.99	\$ 1,766.15	\$ 2,636.51	\$ 2,101.46	20	14	18.40	18.80
		10	\$ 2,614.73	\$ 1,843.63	\$ 2,994.84	\$ 2,222.52	20	14	18.80	19.20
		12	\$ 3,592.83	\$ 2,332.68	\$ 4,089.14	\$ 2,756.36	24	16		
18"	x	3	\$ 1,488.95	\$ 1,140.31	\$ 1,907.78	\$ 1,557.94	12	12	19.30	19.70
		4	\$ 1,488.95	\$ 1,140.31	\$ 1,907.78	\$ 1,557.94	12	12	19.80	20.20
		6	\$ 1,906.57	\$ 1,543.42	\$ 2,303.62	\$ 2,031.25	16	15	20.20	20.60
		8	\$ 2,517.89	\$ 2,016.73	\$ 2,805.99	\$ 2,621.99	20	21		
		10	\$ 2,814.47	\$ 2,097.84	\$ 3,232.09	\$ 2,700.68	20	21		
		12	\$ 3,704.20	\$ 2,643.78	\$ 4,130.30	\$ 3,342.25	24	24		
20"	x	3	\$ 1,531.31	\$ 1,169.37	\$ 1,951.36	\$ 1,589.42	12	12	21.40	21.80
		4	\$ 1,531.31	\$ 1,169.37	\$ 1,951.36	\$ 1,589.42	12	12	22.00	22.40
		6	\$ 1,967.10	\$ 1,586.99	\$ 2,366.58	\$ 2,074.84	16	15	22.60	23.00
		8	\$ 2,602.62	\$ 2,074.84	\$ 2,891.94	\$ 2,677.67	20	21		
		10	\$ 2,905.26	\$ 2,181.36	\$ 3,376.15	\$ 2,782.99	20	21		
		12	\$ 3,809.52	\$ 2,744.26	\$ 4,256.20	\$ 3,441.51	24	24		
24"	x	3	\$ 1,664.47	\$ 1,262.57	\$ 2,089.36	\$ 1,686.26	12	12	23.20	23.60
		4	\$ 1,664.47	\$ 1,262.57	\$ 2,089.36	\$ 1,686.26	12	12	23.80	24.20
		6	\$ 2,118.42	\$ 1,725.00	\$ 2,663.15	\$ 2,268.52	16	15	25.60	26.00
		8	\$ 2,784.20	\$ 2,244.30	\$ 3,258.73	\$ 2,844.73	20	21		
		10	\$ 3,080.78	\$ 2,321.78	\$ 3,426.99	\$ 2,921.00	20	21		
		12	\$ 4,020.15	\$ 2,912.52	\$ 4,539.46	\$ 3,607.36	24	24		

All dimensions are in inches

Note: When ordering a 6606 tapping sleeve, price is determined by the flange size and not by working range.
The working range is only a guideline, other ranges can be fabricated

ROBAR INDUSTRIES LTD.
 BC Phone (604) 591-8811 / 1-800-663-6553
 Fax (604) 591-5288
 Email waterworks@robarindustries.com

LES PRODUITS INDUSTRIELS ROBAR INC.
 QUEBEC Phone: (450) 441-7525/1-800-315-9525
 Fax: (450) 441-4894
 Web: www.Robarindustries.com



CSF6606 TAPPING SLEEVES

STAINLESS STEEL BODY WITH MILD STEEL FLANGE
PRICE INFORMATION

Nominal Pipe Size	By x	Outlet Size	Lifter Bar List Price	Bolt Bracket List Price	Fitting Length	Number of Bolts	Working Range	
							LOW	HIGH
6"	x	3	\$ 746.87	\$ 892.18	12	8	6.40	6.80
		4	\$ 746.87	\$ 892.18	12	8	6.80	7.20
							7.20	7.60
6"	x	6	\$ 990.50	\$ 1,204.26	16	10	6.75	7.00
							6.85	7.10
							7.00	7.25
							7.25	7.50
8"	x	3	\$ 769.45	\$ 914.74	12	8	8.40	8.80
		4	\$ 769.45	\$ 914.74	12	8	8.80	9.20
		6	\$ 1,023.96	\$ 1,237.72	16	10	9.20	9.60
8"	x	8	\$ 1,354.63	\$ 1,611.80	20	12	8.95	9.20
							9.25	9.50
10"	x	3	\$ 791.45	\$ 936.77	12	8	10.55	10.95
		4	\$ 791.45	\$ 936.77	12	8	10.90	11.30
		6	\$ 1,056.56	\$ 1,270.33	16	10	11.30	11.70
		8	\$ 1,408.65	\$ 1,665.80	20	12	11.90	12.30
		10	\$ 1,481.14	\$ 1,738.30	20	12		
12"	x	3	\$ 821.23	\$ 966.53	12	8	12.15	12.55
		4	\$ 821.23	\$ 966.53	12	8	12.55	12.95
		6	\$ 1,100.69	\$ 1,314.47	16	10	13.00	13.40
		8	\$ 1,441.15	\$ 1,698.30	20	12	13.40	13.80
		10	\$ 1,538.44	\$ 1,795.60	20	12	13.80	14.20
		12	\$ 1,979.73	\$ 2,280.27	24	16		
14"	x	3	\$ 896.54	\$ 1,041.84	12	8	15.10	15.50
		4	\$ 896.54	\$ 1,041.84	12	8	15.50	15.90
		6	\$ 1,214.15	\$ 1,427.91	16	10	15.80	16.20
		8	\$ 1,588.61	\$ 1,845.76	20	12	16.20	16.60
		10	\$ 1,661.10	\$ 1,918.26	20	12		
		12	\$ 2,126.95	\$ 2,427.49	24	16		

*All dimensions are in inches
Continued...*

Note: Size on size for IPS OD is not available
When ordering a 6606 tapping sleeve, price is determined by the flange size and not by working range.
The working range is only a guideline, other ranges can be fabricated

ROBAR INDUSTRIES LTD.

BC Phone (604) 591-8811 / 1-800-663-6553
Fax (604) 591-5288
Email waterworks@robarindustries.com

LES PRODUITS INDUSTRIELS ROBAR INC

QUEBEC Phone (450) 441-7525/1-800-315-9525
Fax (450) 441-4894
Web www.Robarindustries.com



CSF6606 TAPPING SLEEVES

STAINLESS STEEL BODY WITH MILD STEEL FLANGE

Price Information

Nominal Pipe Size	By x	Outlet Size	Lifter Bar List Price	Bolt Bracket List Price	Fitting Length	Number of Bolts	Working Range	
							LOW	HIGH
16"	x	3	\$ 927.68	\$ 1,072.98	12	8	17.20	17.60
		4	\$ 927.68	\$ 1,072.98	12	8	17.40	17.80
		6	\$ 1,258.38	\$ 1,472.13	16	10	17.80	18.20
		8	\$ 1,650.08	\$ 1,907.24	20	12	18.40	18.80
		10	\$ 1,722.58	\$ 1,979.73	20	12	18.80	19.20
		12	\$ 2,180.07	\$ 2,480.60	24	16		
18"	x	3	\$ 1,064.86	\$ 1,402.26	12	12	19.30	19.70
		4	\$ 1,064.86	\$ 1,402.26	12	12	19.80	20.20
		6	\$ 1,441.98	\$ 1,934.24	16	15	20.20	20.60
		8	\$ 1,884.42	\$ 2,496.24	20	21		
		10	\$ 1,959.49	\$ 2,571.31	20	21		
		12	\$ 2,469.86	\$ 3,182.90	24	24		
20"	x	3	\$ 1,092.68	\$ 1,430.06	12	12	21.40	21.80
		4	\$ 1,092.68	\$ 1,430.06	12	12	22.00	22.40
		6	\$ 1,483.15	\$ 1,975.41	16	15	22.60	23.00
		8	\$ 1,938.00	\$ 2,549.82	20	21		
		10	\$ 2,037.89	\$ 2,649.71	20	21		
		12	\$ 2,564.08	\$ 3,277.11	24	24		
24"	x	3	\$ 1,178.92	\$ 1,516.31	12	12	23.20	23.60
		4	\$ 1,178.92	\$ 1,516.31	12	12	23.80	24.20
		6	\$ 1,611.03	\$ 2,103.29	16	15	25.60	26.00
		8	\$ 2,096.54	\$ 2,708.35	20	21		
		10	\$ 2,169.02	\$ 2,780.86	20	21		
		12	\$ 2,721.57	\$ 3,434.61	24	24		

All dimensions are in inches

Note: When ordering a 6606 tapping sleeve, price is determined by the flange size and not by working range.
The working range is only a guideline, other ranges can be fabricated

ROBAR INDUSTRIES LTD.

BC Phone (604) 591-8811 / 1-800-663-6553
 Fax (604) 591-5288
 Email waterworks@robarindustries.com

LES PRODUITS INDUSTRIELS ROBAR INC.

QUEBEC Phone (450) 441-7525 / 1-800-315-9525
 Fax (450) 441-4894
 Web www.Robarindustries.com



6626 OUTLET SLEEVES

STAINLESS STEEL PRICE INFORMATION

Nominal Pipe Size	By x	Outlet Size	LIST PRICE	Fitting Length	Number of Bolts	Working Range	
						LOW	HIGH
4"	x	3	\$ 848.01	12	8	4.70	4.95
		4	\$ 848.01	12	8	4.95	5.20
6"	x	3	\$ 848.01	12	8	6.40	6.80
		4	\$ 848.01	12	8	6.80	7.20
6"	x	6	\$ 1,178.89	16	10	7.20	7.60
						6.75	7.00
						6.85	7.10
						7.00	7.25
8"	x	3	\$ 857.08	12	8	8.40	8.80
		4	\$ 857.08	12	8	8.80	9.20
		6	\$ 1,131.24	16	10	9.20	9.60
8"	x	8	\$ 1,506.64	20	12	8.95	9.20
						9.25	9.50
10"	x	3	\$ 898.33	12	8	10.55	10.95
		4	\$ 898.33	12	8	10.90	11.30
		6	\$ 1,186.27	16	10	11.30	11.70
		8	\$ 1,458.40	20	12	11.90	12.30
		10	\$ 1,916.00	20	12		
12"	x	3	\$ 976.02	12	8	12.15	12.55
		4	\$ 976.02	12	8	12.55	12.95
		6	\$ 1,289.84	16	10	13.00	13.40
		8	\$ 1,587.83	20	12	13.40	13.80
		10	\$ 1,867.96	20	12	13.80	14.20
		12	\$ 2,545.04	24	16		
14"	x	3	\$ 1,067.54	12	8	15.10	15.50
		4	\$ 1,067.54	12	8	15.50	15.90
		6	\$ 1,411.89	16	10	15.80	16.20
		8	\$ 1,740.38	20	12	16.20	16.60
		10	\$ 2,020.51	20	12		
		12	\$ 2,498.01	24	16		

All dimensions are in inches
Continued...

Note: Size on size for IPS OD is not available
When ordering a 6606 tapping sleeve, price is determined by the flange size and not by working range.
The working range is only a guideline, other ranges can be fabricated

ROBAR INDUSTRIES LTD.
BC Phone (604) 591-8811 / 1-800-663-6553
Fax (604) 591-5288
Email waterworks@robarindustries.com

LES PRODUITS INDUSTRIELS ROBAR INC.
QUEBEC Phone (450) 441-7525 / 1-800-315-9525
Fax (450) 441-4894
Web www.Robarindustries.com



6626 OUTLET SLEEVES

STAINLESS STEEL
PRICE INFORMATION

Nominal Pipe Size	By x	Outlet Size	LIST PRICE	Fitting Length	Number of Bolts	Working Range	
						LOW	HIGH
16"	x	3	\$ 1,146.28	12	8	17.20	17.60
		4	\$ 1,146.28	12	8	17.40	17.80
		6	\$ 1,516.71	16	10	17.80	18.20
		8	\$ 1,870.97	20	12	18.40	18.80
		10	\$ 2,156.60	20	12	18.80	19.20
		12	\$ 2,662.13	24	16		
18"	x	3	\$ 1,235.68	12	12	19.30	19.70
		4	\$ 1,235.68	12	12	19.80	20.20
		6	\$ 1,635.88	16	15	20.20	20.60
		8	\$ 2,019.93	20	18		
		10	\$ 2,305.16	20	18		
		12	\$ 2,840.89	24	24		
20"	x	3	\$ 1,265.05	12	12	21.40	21.80
		4	\$ 1,265.05	12	12	22.00	22.40
		6	\$ 1,674.99	16	15	22.60	23.00
		8	\$ 2,068.83	20	18		
		10	\$ 2,354.04	20	18		
		12	\$ 2,899.59	24	24		
24"	x	3	\$ 1,413.76	12	12	23.20	23.60
		4	\$ 1,413.76	12	12	23.80	24.20
		6	\$ 1,873.34	16	16	25.60	26.00
		8	\$ 2,316.75	20	18		
		10	\$ 2,602.00	20	18		
		12	\$ 3,197.08	24	24		

All dimensions are in inches

Note: When ordering a 6606 tapping sleeve, price is determined by the flange size and not by working range.

The working range is only a guideline, other ranges can be fabricated

ROBAR INDUSTRIES LTD.

BC Phone (604) 591-8811 / 1-800-663-6553
Fax (604) 591-5288
Email waterworks@robarindustries.com

LES PRODUITS INDUSTRIELS ROBAR INC.

QUEBEC Phone (450) 441-7525 / 1-800-315-9525
Fax (450) 441-4894
Web www.Robarindustries.com



6636 ABANDON SERVICE SLEEVE

STAINLESS STEEL PRICE INFORMATION

ABANDON SLEEVE with 3" End Cap - 12" wide LIST PRICE

Nominal Size	Outlet Size	Bolt Bracket	Finger Closure
4"	3"	\$ 791.68	\$ 647.63
6"		\$ 821.28	\$ 668.04
8"		\$ 852.23	\$ 689.89
10"		\$ 878.71	\$ 710.93
12"		\$ 923.20	\$ 802.05
14"		\$ 1,020.18	\$ 881.84
16"		\$ 1,055.73	\$ 914.08
18"		\$ 1,367.71	\$ 1,074.19
20"		\$ 1,394.93	\$ 1,104.46
22"		\$ 1,453.27	\$ 1,140.89
24"		\$ 1,529.70	\$ 1,197.48

Notes:

3" end cap used to seal off a 3/4" or 1" main stop

4" end cap used to seal off a 1-1/2" or 2" main stop

ABANDON SLEEVE with 3" End Cap - 8" wide LIST PRICE

Nominal Size	Outlet Size	Bolt Bracket	Finger Closure
4"	3"	\$ 733.90	\$ 600.36
6"		\$ 761.33	\$ 619.27
8"		\$ 790.02	\$ 639.54
10"		\$ 814.56	\$ 659.03
12"		\$ 855.82	\$ 743.51
14"		\$ 945.72	\$ 817.48
16"		\$ 978.66	\$ 847.35
18"		\$ 1,267.86	\$ 995.78
20"		\$ 1,293.10	\$ 1,023.84
22"		\$ 1,347.18	\$ 1,057.61
24"		\$ 1,418.03	\$ 1,110.06

ABANDON SLEEVE with 4" End Cap - 12" wide LIST PRICE

Nominal Size	Outlet Size	Bolt Bracket	Finger Closure
6"	4"	\$ 930.52	\$ 748.42
8"		\$ 948.02	\$ 767.44
10"		\$ 968.42	\$ 790.85
12"		\$ 1,017.47	\$ 892.18
14"		\$ 1,124.33	\$ 971.88
16"		\$ 1,152.64	\$ 1,007.43
18"		\$ 1,454.23	\$ 1,183.85
20"		\$ 1,508.62	\$ 1,217.22
22"		\$ 1,571.70	\$ 1,245.61
24"		\$ 1,654.38	\$ 1,307.41

ROBAR INDUSTRIES LTD.

BC Phone (604) 591-8811 / 1-800-663-6553
 Fax (604) 591-5288
 Email waterworks@robarindustries.com

LES PRODUITS INDUSTRIELS ROBAR INC.

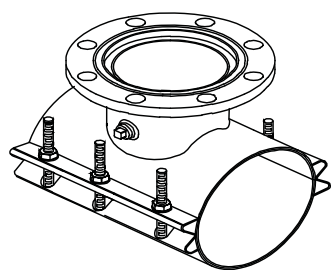
QUEBEC Phone (450) 441-7525 / 1-800-315-9525
 Fax (450) 441-4894
 Web www.Robarindustries.com



6808, 6806, 6908 & 6906 TAPPING SLEEVES

MILD STEEL

PRICE INFORMATION



Nominal Pipe Size	By x	Outlet Size	LIST PRICE				Working Range	
			PRICE 6808	PRICE 6806	PRICE 6908	PRICE 6906	LOW	HIGH
6"	x	4	\$ 762.98	\$ 896.09	\$ 847.98	\$ 968.41	6.85	6.95
		6	\$ 823.40	\$ 956.62	\$ 915.73	\$ 1,017.15		
8"	x	4	\$ 798.32	\$ 914.16	\$ 884.26	\$ 974.57	8.50	8.90
		6	\$ 869.70	\$ 985.52	\$ 968.18	\$ 1,045.91	8.90	9.30
		8	\$ 1,289.46	\$ 1,443.87	\$ 1,333.89	\$ 1,465.67	9.30	9.70
10"	x	4	\$ 823.37	\$ 939.19	\$ 921.72	\$ 1,034.91	9.70	10.10
		6	\$ 911.32	\$ 1,027.24	\$ 1,007.16	\$ 1,122.97	10.10	10.50
		8	\$ 1,341.61	\$ 1,496.04	\$ 1,386.34	\$ 1,553.16	10.50	10.90
		10	\$ 1,740.31	\$ 1,933.36	\$ 1,726.55	\$ 1,951.83	10.90	11.30
								11.30
							11.70	12.10
12"	x	4	\$ 874.68	\$ 990.52	\$ 1,026.64	\$ 1,126.81	12.10	12.50
		6	\$ 960.64	\$ 1,060.61	\$ 1,112.07	\$ 1,212.76	12.50	12.90
		8	\$ 1,447.12	\$ 1,601.58	\$ 1,504.73	\$ 1,657.21	12.90	13.30
		10	\$ 1,814.00	\$ 2,007.05	\$ 1,856.95	\$ 2,083.26	13.30	13.60
		12	\$ 2,176.75	\$ 2,369.79	\$ 2,222.64	\$ 2,428.88		
14"	x	4	\$ 911.28	\$ 1,027.10	\$ 1,079.10	\$ 1,220.28	13.60	14.05
		6	\$ 1,036.76	\$ 1,152.60	\$ 1,190.00	\$ 1,345.75	14.05	14.50
		8	\$ 1,502.52	\$ 1,657.16	\$ 1,629.14	\$ 1,811.54	14.50	14.95
		10	\$ 1,920.25	\$ 2,113.28	\$ 1,987.34	\$ 2,229.23	14.95	15.40
		12	\$ 2,282.84	\$ 2,475.91	\$ 2,354.54	\$ 2,591.89	15.30	15.75

All dimensions are in inches
Continued...

Note: Size on size for IPS OD is not available
When ordering a Mild Steel tapping sleeves, price is determined by the flange size and not by working range.
The working range is only a guideline, other ranges can be fabricated

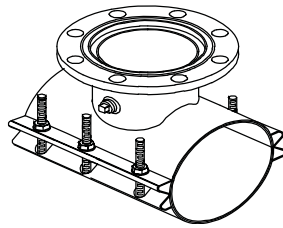
ROBAR INDUSTRIES LTD.
BC Phone (604) 591-8811 / 1-800-663-6553
Fax (604) 591-5288
Email waterworks@robarindustries.com

LES PRODUITS INDUSTRIELS ROBAR INC.
QUEBEC Phone (450) 441-7525 / 1-800-315-9525
Fax (450) 441-4894
Web www.Robarindustries.com



6808, 6806, 6908 & 6906 TAPPING SLEEVES

MILD STEEL
PRICE INFORMATION



Nominal Pipe Size	By x	Outlet Size	LIST PRICE				Working Range	
			PRICE 6808	PRICE 6806	Price 6908	PRICE 6906	LOW	HIGH
16"	x	4	\$ 946.74	\$ 1,062.54	\$1,137.55	\$ 1,296.88	15.75	16.15
		6	\$ 1,084.76	\$ 1,200.56	\$1,255.96	\$ 1,434.86	16.15	16.60
		8	\$ 1,565.09	\$ 1,719.55	\$1,699.59	\$ 1,915.72	16.60	17.05
		10	\$ 1,988.06	\$ 2,181.95	\$2,092.25	\$ 2,339.07	17.05	17.50
		12	\$ 2,353.78	\$ 2,546.84	\$2,451.95	\$ 2,703.92	17.40	17.85
18"	x	4	\$ 986.51	\$ 1,102.32	\$1,185.51	\$ 1,347.05	17.85	18.30
		6	\$ 1,136.87	\$ 1,252.71	\$1,321.90	\$ 1,497.40	18.30	18.75
		8	\$ 1,633.23	\$ 1,787.66	\$1,779.02	\$ 1,993.80	18.75	19.20
		10	\$ 2,066.91	\$ 2,259.96	\$2,171.69	\$ 2,427.46	19.20	19.65
		12	\$ 2,429.54	\$ 2,622.60	\$2,576.36	\$ 2,790.09	19.50	19.95
20"	x	4	\$ 1,018.80	\$ 1,134.63	\$1,239.48	\$ 1,439.02	19.90	20.40
		6	\$ 1,187.98	\$ 1,303.80	\$1,386.34	\$ 1,608.21	20.40	20.90
		8	\$ 1,708.30	\$ 1,862.74	\$1,856.95	\$ 2,128.53	20.90	21.40
		10	\$ 2,138.87	\$ 2,331.90	\$2,327.56	\$ 2,559.07	21.40	21.90
		12	\$ 2,501.51	\$ 2,694.58	\$2,693.26	\$ 2,921.83	21.90	22.15
								22.15
24"	x	4	\$ 1,134.91	\$ 1,250.73	\$1,341.37	\$ 1,572.49	23.60	24.15
		6	\$ 1,293.73	\$ 1,409.57	\$1,491.25	\$ 1,786.98	24.15	24.70
		8	\$ 1,835.39	\$ 1,989.81	\$1,972.35	\$ 2,273.02	24.70	25.25
		10	\$ 2,308.99	\$ 2,501.17	\$2,471.45	\$ 2,745.76	25.25	25.80
		12	\$ 2,670.79	\$ 2,863.83	\$2,864.11	\$ 3,108.41	25.60	26.00
								25.60

All Dimensions are in inches

Note: When ordering a Mild Steel tapping sleeve, price is determined by the flange size and not by working range.

The working range is only a guideline, other ranges can be fabricated

ROBAR INDUSTRIES LTD.

BC Phone (604) 591-8811 / 1-800-663-6553
 Fax (604) 591-5288
 Email waterworks@robarindustries.com

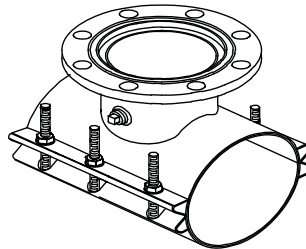
LES PRODUITS INDUSTRIELS ROBAR INC.

QUEBEC Phone (450) 441-7525 / 1-800-315-9525
 Fax (450) 441-4894
 Web www.Robarindustries.com



Carbon Steel MJ Tapping Sleeve

6808, 6806, 6908, 6906
PRICE INFORMATION



LIST PRICE									
Nominal Pipe Size	By x	Outlet Size	PRICE 6808MJ	PRICE 6806MJ	PRICE 6908MJ	PRICE 6906MJ	Working Range		
							LOW	HIGH	
6"	x	4	\$ 884.59	\$ 1,005.37	\$ 957.22	\$ 1,041.95	6.85	6.95	
		6	\$ 1,023.14	\$ 1,120.90	\$ 1,107.99	\$ 1,180.62			
8"	x	4	\$ 896.82	\$ 1,035.72	\$ 969.51	\$ 1,059.82	8.50	8.90	
		6	\$ 1,048.07	\$ 1,150.13	\$ 1,132.80	\$ 1,210.52	8.90	9.30	
		8	\$ 1,308.33	\$ 1,504.36	\$ 1,394.38	\$ 1,526.16	9.30	9.70	
10"	x	4	\$ 969.29	\$ 1,091.01	\$ 1,017.87	\$ 1,174.63	9.70	10.10	
		6	\$ 1,084.59	\$ 1,187.12	\$ 1,168.25	\$ 1,235.63	10.10	10.50	
		8	\$ 1,344.13	\$ 1,541.07	\$ 1,431.37	\$ 1,598.19	10.50	10.90	
		10	\$ 1,659.45	\$ 1,961.34	\$ 1,766.64	\$ 1,991.92	10.90	11.30	
								11.30	11.70
								11.70	12.10
12"	x	4	\$ 1,017.97	\$ 1,111.37	\$ 1,072.44	\$ 1,247.65	12.10	12.50	
		6	\$ 1,120.10	\$ 1,229.67	\$ 1,219.39	\$ 1,320.08	12.50	12.90	
		8	\$ 1,441.03	\$ 1,627.90	\$ 1,531.05	\$ 1,683.53	12.90	13.30	
		10	\$ 1,774.54	\$ 2,055.28	\$ 1,880.62	\$ 2,106.92	13.30	13.60	
		12	\$ 2,058.22	\$ 2,381.19	\$ 2,234.07	\$ 2,440.30			
14"	x	4	\$ 1,065.40	\$ 1,155.05	\$ 1,131.98	\$ 1,265.90	13.60	14.05	
		6	\$ 1,174.47	\$ 1,271.30	\$ 1,278.43	\$ 1,434.17	14.05	14.50	
		8	\$ 1,544.33	\$ 1,694.87	\$ 1,646.29	\$ 1,828.68	14.50	14.95	
		10	\$ 1,888.70	\$ 2,124.47	\$ 1,998.53	\$ 2,240.41	14.95	15.40	
		12	\$ 2,181.72	\$ 2,477.92	\$ 2,356.54	\$ 2,593.90	15.30	15.75	

All dimensions are in inches

Continued...

Note: Size on size for IPS OD is not available

When ordering a Mild Steel tapping sleeves, price is determined by the flange size and not by working range.

The working range is only a guideline, other ranges can be fabricated

ROBAR INDUSTRIES LTD.

BC Phone (604) 591-8811 / 1-800-663-6553
 Fax (604) 591-5288
 Email waterworks@robarindustries.com

LES PRODUITS INDUSTRIELS ROBAR INC.

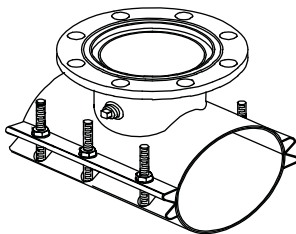
QUEBEC Phone (450) 441-7525 / 1-800-315-9525
 Fax (450) 441-4894
 Web www.Robarindustries.com



Carbon Steel MJ Tapping Sleeve

6808, 6806, 6908, 6906

PRICE INFORMATION



Nominal Pipe Size	By x	Outlet Size	LIST PRICE				Working Range	
			PRICE 6808MJ	PRICE 6806MJ	PRICE 6908MJ	PRICE 6906MJ	LOW	HIGH
16"	x	4	\$ 1,114.75	\$ 1,187.42	\$1,198.56	\$ 1,307.98	15.75	16.15
		6	\$ 1,228.99	\$ 1,308.36	\$1,331.08	\$ 1,473.67	16.15	16.60
		8	\$ 1,618.66	\$ 1,768.15	\$1,711.86	\$ 1,928.00	16.60	17.05
		10	\$ 1,985.87	\$ 2,215.51	\$2,101.60	\$ 2,348.42	17.05	17.50
		12	\$ 2,294.12	\$ 2,545.41	\$2,450.52	\$ 2,702.50	17.40	17.85
18"	x	4	\$ 1,181.11	\$ 1,259.34	\$1,271.12	\$ 1,356.39	17.85	18.30
		6	\$ 1,295.90	\$ 1,384.06	\$1,404.84	\$ 1,531.92	18.30	18.75
		8	\$ 1,683.65	\$ 1,826.09	\$1,783.54	\$ 1,998.32	18.75	19.20
		10	\$ 2,058.22	\$ 2,296.81	\$2,172.23	\$ 2,428.01	19.20	19.65
		12	\$ 2,397.90	\$ 2,614.92	\$2,568.68	\$ 2,782.42	19.50	19.95
20"	x	4	\$ 1,217.66	\$ 1,301.58	\$1,344.64	\$ 1,445.06	19.90	20.40
		6	\$ 1,356.05	\$ 1,423.09	\$1,465.00	\$ 1,598.50	20.40	20.90
		8	\$ 1,743.29	\$ 1,910.43	\$1,856.22	\$ 2,127.79	20.90	21.40
		10	\$ 2,180.51	\$ 2,361.34	\$2,320.69	\$ 2,552.20	21.40	21.90
		12	\$ 2,515.91	\$ 2,681.14	\$2,679.82	\$ 2,908.41	21.90	22.15
							22.15	22.70
							22.70	23.25
24"	x	4	\$ 1,284.16	\$ 1,393.24	\$1,417.31	\$ 1,573.37	23.60	24.15
		6	\$ 1,429.39	\$ 1,514.05	\$1,561.84	\$ 1,774.03	24.15	24.70
		8	\$ 1,858.38	\$ 2,052.37	\$1,964.70	\$ 2,265.37	24.70	25.25
		10	\$ 2,312.46	\$ 2,542.93	\$2,459.94	\$ 2,734.27	25.25	25.80
		12	\$ 2,649.58	\$ 2,847.45	\$2,847.72	\$ 3,092.04	25.60	26.00

All Dimensions are in inches

Note: When ordering a Mild Steel tapping sleeve, price is determined by the flange size and not by working range.
The working range is only a guideline, other ranges can be fabricated

ROBAR INDUSTRIES LTD.

BC Phone (604) 591-8811 / 1-800-663-6553
Fax (604) 591-5288
Email waterworks@robarindustries.com

LES PRODUITS INDUSTRIELS ROBAR INC.

QUEBEC Phone (450) 441-7525 / 1-800-315-9525
Fax (450) 441-4894
Web www.Robarindustries.com