

2406 & 2408 SERVICE SADDLES

CAST DUCTILE IRON

PRICE INFORMATION

2406 SADDLES COMPLETE WITH FLAT WASHERS

2406 - Designed for tapping into Steel, Ductile, Cast Iron, C900 and AC pipe

Nominal Pipe Size	Working Range		Outlet Sizes AWWA CC or IP	Approximate Shipping Weights		List Price Saddle Body		List Price *Strap Kit	List Price Saddle	
	Low	High*		(LBS.)	(KG)	Single (SS)	Double (DS)		(SS)	(DS)
2"	2.38	2.56	3/4 - 1	2.0	0.9	\$ 29.97		\$20.98	\$57.05	
3"	3.25	3.54	3/4 - 1	2.5	1.1	\$ 31.17		\$22.18	\$58.05	
4"	4.5	5.4	3/4 - 2	5.0	2.3	\$ 32.40		\$25.05	\$59.63	
				6.5	2.9		\$ 41.15			\$ 95.53
6"	6.62	7.5	3/4 - 2	6.0	2.7	\$ 33.20		\$28.15	\$63.59	
				8.5	3.9		\$ 42.56			\$ 100.32
8"	8.62	9.62	3/4 - 2	6.5	2.9	\$ 41.98		\$31.25	\$76.12	
				10.0	4.5		\$ 44.71			\$ 110.28
10"	10.75	12.12	3/4 - 2	7.5	3.4	\$ 46.28		\$37.76	\$87.21	
				11.5	5.2		\$ 47.51			\$ 126.26
12"	12.75	14.38	3/4 - 2	11.5	5.2	\$ 48.76		\$42.30	\$94.30	
				12.5	5.7		\$ 61.14			\$ 149.80
14"	15.15	16.00	3/4 - 2	15.0	6.8		\$ 103.23	\$43.35		\$ 186.95
16"	17.25	17.80	3/4 - 2	19.0	8.6		\$ 113.36	\$49.88		\$213.13
	17.80	18.00								

2408 SADDLES COMPLETE WITH FLAT WASHERS

2408 - Designed for tapping into Steel, Ductile and Cast Iron pipe. Not suitable on plastic pipe

Nominal Pipe Size	Working Range		Outlet Sizes AWWA CC or IP	Approximate Shipping Weights		List Price Saddle Body		List Price *Strap Kit	List Price Saddle	
	Low	High*		(LBS.)	(KG)	Single (SS)	Double (DS)		(SS)	(DS)
4"	4.5	5.4	3/4 - 2	5.0	2.3	\$ 32.40		\$15.30	\$50.56	
				6.5	2.9		\$ 41.15			\$ 76.94
6"	6.62	7.5	3/4 - 2	6.0	2.7	\$ 33.20		\$21.37	\$57.47	
				8.5	3.9		\$ 42.56			\$ 87.54
8"	8.62	9.62	3/4 - 2	6.5	2.9	\$ 41.98		\$22.57	\$68.25	
				10.0	4.5		\$ 44.71			\$ 93.79
10"	10.75	12.12	3/4 - 2	7.5	3.4	\$ 46.28		\$25.47	\$75.80	
				11.5	5.2		\$ 47.51			\$ 102.49
12"	12.75	14.38	3/4 - 2	11.5	5.2	\$ 48.76		\$27.18	\$80.20	
				12.5	5.7		\$ 61.14			\$ 120.86
14"	15.15	16.00	3/4 - 2	15.0	6.8		\$ 103.23	\$28.00		\$ 151.66
16"	17.25	17.80	3/4 - 2	19.0	8.6		\$ 113.36	\$28.06		\$178.33
	17.80	18.00								

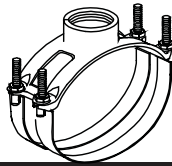
* STRAP KIT consist of 1x Strap, 2x Nuts, 2x Washers

ROBAR INDUSTRIES LTD.

BC Phone (604) 591-8811 / 1-800-663-6553
 Fax (604) 591-5288
 Email: waterworks@robarindustries.com

LES PRODUITS INDUSTRIELS ROBAR INC.

QUEBEC Phone (450) 441-7525 / 1-800-315-9525
 Fax (450) 441-4894
 Web www.Robarindustries.com



2506 & 2508 SERVICE SADDLES

**CAST DUCTILE IRON
PRICE INFORMATION**

2506 - Designed for tapping into Steel, Ductile, Cast Iron, C900 and AC pipe. Saddle straps and bodies are shaped evenly and safely distribute the clamping load to the pipe. When tightening, the saddle conforms to the various diameters in each nominal size of pipe within the specified working range.

2506 SADDLES COMPLETE WITH FLAT WASHERS

Nominal Pipe Size	Working Range		Outlet Sizes AWWA CC or IP	Approximate Shipping Weights		List Price Saddle Body		List Price *Strap Kit	List Price Saddle	
	Low	High*		(LBS.)	(KG)	(SS)	(DS)		(SS)	(DS)
2"	2.38	2.56	3/4 - 1	2.0	0.9	\$ 44.65		\$ 20.98	\$ 67.13	
3"	3.25	3.54	3/4 - 1	2.5	1.1	\$ 45.50		\$ 22.18	\$ 68.42	
4"	4.5	5.4	3/4 - 2	5.0	2.3	\$ 51.84		\$ 25.05	\$ 75.30	
				6.5	2.9		\$ 56.26			\$ 103.13
6"	6.62	7.5	3/4 - 2	6.0	2.7	\$ 53.06		\$ 28.15	\$ 79.43	
				8.5	3.9		\$ 63.55			\$ 116.29
8"	8.62	9.62	3/4 - 2	6.5	2.9	\$ 67.18		\$ 31.25	\$ 96.43	
				10.0	4.5		\$ 71.61			\$ 130.14
10"	10.75	12.12	3/4 - 2	7.5	3.4	\$ 74.06		\$ 37.76	\$ 109.45	
				11.5	5.2		\$ 75.95			\$ 146.69
12"	12.75	14.38	3/4 - 2	11.5	5.2	\$ 78.02		\$ 42.30	\$ 117.56	
				12.5	5.7		\$ 97.80			\$ 176.96
14"	15.15	16.00	3/4 - 2	15.0	6.8			\$ 43.35		\$ 219.01
	17.25	17.80								
16"	17.80	18.00	3/4 - 2	19.0	8.6			\$ 49.88		\$ 261.04
	17.80	18.00								

2508 SADDLES COMPLETE WITH FLAT WASHERS

2508 - Designed for tapping into Steel, Ductile and Cast Iron pipe. Not suitable on plastic pipe

Nominal Pipe Size	Working Range		Outlet Sizes AWWA CC or IP	Approximate Shipping Weights		List Price Saddle Body		List Price *Strap Kit	List Price Saddle	
	Low	High*		(LBS.)	(KG)	(SS)	(DS)		(SS)	(DS)
4"	4.5	5.4	3/4 - 2	5.0	2.3	\$ 51.84		\$ 15.30	\$ 68.65	
				6.5	2.9		\$ 56.26			\$ 97.84
6"	6.62	7.5	3/4 - 2	6.0	2.7	\$ 53.06		\$ 21.37	\$ 72.61	
				8.5	3.9		\$ 63.55			\$ 107.01
8"	8.62	9.62	3/4 - 2	6.5	2.9	\$ 67.18		\$ 22.57	\$ 83.69	
				10.0	4.5		\$ 71.61			\$ 120.34
10"	10.75	12.12	3/4 - 2	7.5	3.4	\$ 74.06		\$ 25.47	\$ 93.12	
				11.5	5.2		\$ 75.95			\$ 132.08
12"	12.75	14.38	3/4 - 2	11.5	5.2	\$ 78.02		\$ 27.18	\$ 110.29	
				12.5	5.7		\$ 97.80			\$ 156.39
14"	15.15	16.00	3/4 - 2	15.0	6.8			\$ 28.00		\$ 189.09
	17.25	17.80								
16"	17.80	18.00	3/4 - 2	19.0	8.6			\$ 28.06		\$ 223.61
	17.80	18.00								

ROBAR INDUSTRIES LTD.

BC Phone (604) 591-8811 / 1-800-663-6553
 Fax (604) 591-5288
 Email: waterworks@robarindustries.com

LES PRODUITS INDUSTRIELS ROBAR INC.

QUEBEC Phone (450) 441-7525 / 1-800-315-9525
 Fax (450) 441-4894
 Web www.Robarindustries.com

* STRAP KIT consist of 1x Strap, 2x Nuts, 2x Washers



2616 SERVICE SADDLES

FABRICATED STAINLESS STEEL PRICE INFORMATION

Nominal Pipe Size	Outlet Size	Double Bolt List Price		Working Range		
		IP	CC	Low	Pipe OD	High
2"	3/4"	\$ 107.99	\$ 105.46	2.30	2.38	2.50
	1"	\$ 109.79	\$ 111.21	2.50		2.70
	1 1/4" (IP only)	\$ 127.10				
2 1/2" & 3"	3/4"	\$ 111.37	\$ 109.03	2.70	2.88	2.90
	1"	\$ 114.53	\$ 114.77	2.90		3.15
	1 1/4" (IP only)	\$ 137.09		3.40	3.50	3.80
	1 1/2" (IP only)	\$ 137.09		3.65	3.80	3.95
	2" (IP only)	\$ 176.00				
4"	3/4"	\$ 108.38	\$ 108.00	4.00		4.40
	1"	\$ 114.26	\$ 113.61	4.40	4.50	4.80
	1 1/4"	\$ 159.98	\$ 148.27	4.80	4.80	5.20
	1 1/2"	\$ 146.45	\$ 176.03	5.20		5.60
	2"	\$ 164.35	\$ 188.83	5.60		6.00
6"	3/4"	\$ 116.47	\$ 116.07	6.00		6.40
	1"	\$ 122.06	\$ 121.64	6.40	6.63	6.80
	1 1/4"	\$ 171.53	\$ 159.74	6.60	6.90	7.00
	1 1/2"	\$ 157.88	\$ 187.54	6.80		7.20
	2"	\$ 175.80	\$ 200.43	7.20		7.60
8"	3/4"	\$ 121.13	\$ 120.29	8.00		8.40
	1"	\$ 126.30	\$ 125.88	8.40	8.63	8.80
	1 1/4"	\$ 181.80	\$ 170.06	9.60	9.05	9.05
	1 1/2"	\$ 168.23	\$ 197.88	8.90		9.30
	2"	\$ 186.16	\$ 210.79	9.20		9.60
10"	3/4"	\$ 133.86	\$ 143.97	9.60		10.00
	1"	\$ 139.47	\$ 149.57	10.00		10.40
	1 1/4"	\$ 192.05	\$ 180.32	10.40	10.75	10.80
	1 1/2"	\$ 178.50	\$ 208.10	10.70	11.10	11.10
	2"	\$ 196.28	\$ 220.93	10.90		11.30
				11.60		12.00
12"	3/4"	\$ 140.59	\$ 151.17	12.00		12.40
	1"	\$ 146.68	\$ 156.76	12.40	12.75	12.80
	1 1/4"	\$ 201.64	\$ 189.84	12.75	13.20	13.20
	1 1/2"	\$ 188.16	\$ 217.66	13.10		13.40
	2"	\$ 205.93	\$ 230.56	13.60		14.00

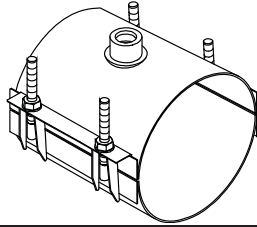
Note: This product can be manufactured to your specification. Contact Robar.
 The high limit of the range is used in the ordering code
 Large Outlets: 2-1/2" and 3" IP outlets are available in the 2626 series only
 The price is determined by the outlet size and type, not by the working range.

ROBAR INDUSTRIES LTD.

BC Phone (604) 591-8811 / 1-800-663-6553
 Fax (604) 591-5288
 Email: waterworks@robarindustries.com

LES PRODUITS INDUSTRIELS ROBAR INC.

QUEBEC Phone (450) 441-7525 / 1-800-315-9525
 Fax (450) 441-4894
 Web: www.Robarindustries.com



2626 SERVICE SADDLES

FABRICATED STAINLESS STEEL

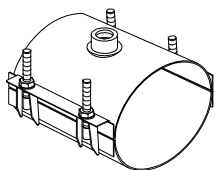
PRICE INFORMATION

Nominal Pipe Size	Outlet Size	Double Bolt List Price		Working Range		
		IP	CC	Low	Pipe OD	High
3"	3/4"	\$ 148.83	\$ 152.95	3.45	3.50	4.25
	1"	\$ 151.75	\$ 158.51			
4"	3/4"	\$ 168.73	\$ 172.85	4.45	4.50	5.25
	1"	\$ 171.65	\$ 178.42	4.74	4.80	5.54
	1 1/4"	\$ 208.42	\$ 217.36	5.35		6.15
	1 1/2"	\$ 227.87	\$ 249.23	5.90		6.70
	2"	\$ 235.86	\$ 266.32			
6"	3/4"	\$ 175.62	\$ 179.76	6.40	6.63	7.20
	1"	\$ 178.56	\$ 185.30	6.85	6.90	7.65
	1 1/4"	\$ 220.00	\$ 228.87	7.05		7.85
	1 1/2"	\$ 239.39	\$ 260.69			
	2"	\$ 247.42	\$ 277.83			
	2 1/2" & 3"	\$ 468.00				
8"	3/4"	\$ 181.83	\$ 185.97	7.95		8.75
	1"	\$ 184.77	\$ 191.54	8.40	8.63	9.20
	1 1/4"	\$ 230.33	\$ 239.24	9.00	9.05	9.80
	1 1/2"	\$ 249.74	\$ 271.06	9.30		10.10
	2"	\$ 257.72	\$ 288.18			
	2 1/2" & 3"	\$ 478.31				
10"	3/4"	\$ 199.92	\$ 204.01	10.00		10.80
	1"	\$ 202.81	\$ 209.29	10.70	10.75	11.50
	1 1/4"	\$ 240.49	\$ 249.38	11.05	11.10	11.85
	1 1/2"	\$ 259.91	\$ 281.23	11.40		12.20
	2"	\$ 267.95	\$ 298.41			
	2 1/2" & 3"	\$ 488.53				

Note: This product can be manufactured to your specification. Contact Robar.
 The high limit of the range is used in the ordering code
 The price is determined by the outlet size and type, not by the working range.

ROBAR INDUSTRIES LTD.
BC Phone: (604) 591-8811 / 1-800-663-6553
 Fax: (604) 591-5288
 Email: waterworks@robar.com

LES PRODUITS INDUSTRIELS ROBAR INC.
QUEBEC Phone (450) 441-7525 / 1-800-315-9525
 Fax (450) 441-4894
 Web: www.Robarindustries.com



2626 SERVICE SADDLES

FABRICATED STAINLESS STEEL PRICE INFORMATION

Nominal Pipe Size	Outlet Size	Double Bolt List Price		Working Range		
		IP	CC	Low	Pipe OD	High
12"	3/4"	\$ 207.16	\$ 211.20	12.00		12.80
	1"	\$ 210.02	\$ 216.80	12.70	12.75	13.50
	1 1/4"	\$ 250.08	\$ 258.96	13.10	13.20	13.90
	1 1/2"	\$ 269.52	\$ 290.86	13.40		14.20
	2"	\$ 277.53	\$ 307.92	13.70		14.50
	2 1/2" & 3"	\$ 498.11				
14"	3/4"	\$ 211.95	\$ 216.54	14.00	14.00	14.80
	1"	\$ 215.34	\$ 222.11	14.95	15.30	15.75
	1 1/4"	\$ 257.22	\$ 266.09	15.75		16.55
	1 1/2"	\$ 276.59	\$ 297.95			
	2"	\$ 284.63	\$ 315.05			
	2 1/2" & 3"	\$ 505.22				
16"	3/4"	\$ 222.03	\$ 226.15	15.60	16.00	16.40
	1"	\$ 224.97	\$ 231.73	16.40		17.20
	1 1/4"	\$ 270.01	\$ 278.92	17.20	17.40	18.00
	1 1/2"	\$ 289.47	\$ 310.78			
	2"	\$ 297.49	\$ 327.90			
	2 1/2" & 3"	\$ 518.08				
18"	3/4"	\$ 227.84	\$ 231.97	17.60	18.00	18.40
	1"	\$ 230.77	\$ 237.53	18.00		18.80
	1 1/4"	\$ 277.76	\$ 286.62	18.40		19.20
	1 1/2"	\$ 297.17	\$ 318.49	18.80		19.60
	2"	\$ 305.19	\$ 335.62	19.20	19.50	20.00
	2 1/2" & 3"	\$ 525.76				

Note: This product can be manufactured to your specification. Contact Robar.
 The high limit of the range is used in the ordering code
 The price is determined by the outlet size and type, not by the working range.

ROBAR INDUSTRIES LTD.

BC Phone: (604) 591-8811/ 1-800-663-6553
 Fax: (604) 591-5288
 Email: waterworks@robar.com

LES PRODUITS INDUSTRIELS ROBAR INC.

QUEBEC Phone (450) 441-7525/ 1-800-315-9525
 Fax (450) 441-4894
 Web: www.robarindustries.com



2636 SERVICE SADDLES

PRICE INFORMATION

Nominal Pipe Size	Outlet Size	Double Bolt List Price		Working Range		
		IP	CC	Low	Pipe OD	High
16"	3/4"	\$ 269.05	\$ 273.15	15.92	16.00	17.12
	1"	\$ 271.96	\$ 278.75	16.25		17.45
	1 1/4"	\$ 316.99	\$ 325.90	17.10	17.40	18.30
	1 1/2"	\$ 336.49	\$ 357.78			
	2"	\$ 344.42	\$ 374.92			
	2 1/2" & 3"	\$ 565.01				
18"	3/4"	\$ 274.85	\$ 278.93	18.00	18.00	19.20
	1"	\$ 277.76	\$ 284.49	19.20	19.50/20.00	20.40
	1 1/4"	\$ 324.76	\$ 333.63			
	1 1/2"	\$ 344.14	\$ 365.46			
	2"	\$ 352.17	\$ 382.63			
	2 1/2" & 3"	\$ 572.76				
20"	3/4"	\$ 297.59	\$ 301.73	21.40	21.60	22.60
	1"	\$ 300.52	\$ 307.30	22.80		24.00
	1 1/4"	\$ 355.19	\$ 364.10	23.45	24.00	24.65
	1 1/2"	\$ 374.59	\$ 395.96			
	2"	\$ 382.64	\$ 413.53			
	2 1/2" & 3"	\$ 603.22				
24"	3/4"	\$ 309.17	\$ 313.26	24.45		25.65
	1"	\$ 312.08	\$ 318.85	25.50	25.80	26.70
	1 1/4"	\$ 370.65	\$ 379.50			
	1 1/2"	\$ 390.03	\$ 411.40			
	2"	\$ 398.03	\$ 428.49			
	2 1/2" & 3"	\$ 618.61				
26" - 30"***	3/4"	\$ 324.61	\$ 328.92	28.25		29.45
	1"	\$ 327.69	\$ 334.80	29.40	30.00	30.60
	1 1/4"	\$ 389.19	\$ 398.48	29.85		31.05
	1 1/2"	\$ 409.54	\$ 431.97	30.85		32.05
	2"	\$ 417.94	\$ 449.91	31.50	32.00	32.70
	2 1/2" & 3"	\$ 638.53				

***only rated for 50 PSI. Use a carbon steel tapping sleeve for higher pressures. Contact Robar.

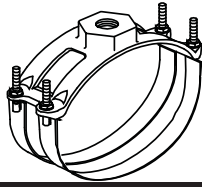
Note: This product can be manufactured to your specification.
 The high limit of the range is used in the ordering code
 The price is determined by the outlet size and type, not by the working range.

ROBAR INDUSTRIES LTD.

BC Phone (604) 591-8811 / 1-800-663-6553
 Fax (604) 591-5288
 Email: waterworks@robarindustries.com

LES PRODUITS INDUSTRIELS ROBAR INC.

QUEBEC Phone (450) 441-7525 / 1-800-315-9525
 Fax (450) 441-4894
 Web: www.Robarindustries.com



2706 SERVICE SADDLES

CAST BRONZE
PRICE INFORMATION

ROBAR 2706 Service Saddles are strong and resist corrosion. They fit pipes from Steel to Rough Barrel A/C. Flexible straps adapt readily to the pipe, evenly distributing load and easing installation.

Nominal Pipe Size	Working Range	Outlet Sizes AWWA CC or IP	Approximate Shipping Weights		Strap Style	Saddle Body Each	*Strap Kit	Complete Saddle List Price
			(LBS.)	(KG)				
4"	4.50-4.80	3/4 - 1	5.0	2.3	SS	\$ 48.52	\$ 27.43	\$ 75.88
		1 1/4 - 2			SS	\$ 83.15		\$ 110.61
		3/4 - 2	6.5	2.9	DS	\$ 100.77		\$ 155.93
6"	6.60-7.45 7.10-7.60	3/4 - 1	6.0	2.7	SS	\$ 52.82	\$ 30.83	\$ 83.64
		1 1/4 - 2			SS	\$ 76.74		\$ 107.56
		3/4 - 2	8.5	3.9	DS	\$ 116.78		\$ 178.44
8"	8.60-9.80	3/4 - 1	6.5	2.9	SS	\$ 62.21	\$ 34.22	\$ 96.43
		3/4 - 2	10.0	4.5	DS	\$ 119.70		\$ 188.17
10"	10.70-11.20 11.10-12.30	3/4 - 2	7.5	3.4	DS	\$ 113.45	\$ 45.51	\$ 204.42
12"	12.70 -13.30 13.10-14.55	3/4 - 2	11.5	5.2	DS	\$ 136.75	\$ 50.96	\$ 238.59
14"	15.10-15.70 15.20-16.85	3/4 - 2	5.0	2.3	DS	\$ 155.10	\$ 58.31	\$ 271.68
16"	17.20-18.00 17.40-19.00	3/4 - 2	6.0	2.7	DS	\$ 169.50	\$ 62.13	\$ 293.69
18" - 20"	18.60-20.40 19.50-21.30 19.70-21.50 21.00-22.80	3/4 - 2	6.5	2.9	DS	\$ 190.06	\$ 84.49	\$ 359.05
24"	23.75-24.75 24.60-25.60 25.65-26.50 26.55-27.55 27.60-28.55 29.60-30.50	3/4 - 2	7.5	3.4	DS	\$ 315.08	\$ 111.19	\$ 537.46

Note: The high limit of the range is used in the ordering code
Large Outlets: 2-1/2" and 3" IP outlets are available in the 2626 series only

* STRAP KIT consist of 1x Strap, 2x Nuts, 2x Washers

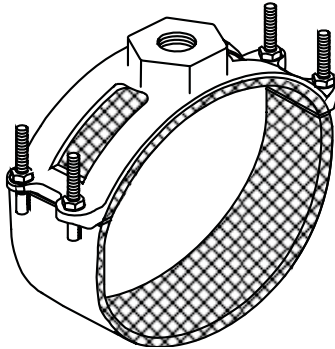
ROBAR INDUSTRIES LTD.
BC Phone (604) 591-8811 / 1-800-663-6553
Fax (604) 591-5288
Email waterworks@robarindustries.com

LES PROI LES PRODUITS INDUSTRIELS ROBAR INC.
QUEBEC QUEBEC Phone (450) 441-7525 / 1-800-315-9525
Fax (450) 441-4894
Web www.Robarindustries.com



2786 SERVICE SADDLES

CAST BRONZE
PRICE INFORMATION



Sizes Available: 4" - 20" Nominal Pipe OD
Outlets from 3/4" - 2" in AWWA taper (CC) or female iron pipe thread (IP)
Fits Steel (IPS), Ductile Iron and Cast Iron Pipe

Use:
ROBAR 2786 Isolating Saddle are used to electrically isolate an outlet or service line from a main distribution line. Primarily used in cathodically protected systems or to separate dissimilar metals. Waterworks Bronze and Passivated T-304 stainless steel are "noble" materials which are closely related to each other near the top of the Galvanic Scale or corrosion resistance. Unlike pairs of widely dissimilar metals, they will both exhibit long life in most "hot" soil environments.

Material Specification:

Saddle Body: Waterworks Bronze (ASTM B62 and AWWA C-800)
Gaskets: SBR (BUNA-S) Rubber Isolating Compound
Strap & Armor: T-304 Stainless Steel, fully passivated
Fasteners: 1/2" NC T-304 Stainless Steel studs, rolled threads

Nominal Pipe Size	Working Range		List Price
	Low	High*	
4"	4.50	4.80	\$ 280.50
6"	6.60	7.40	\$ 288.70
8"	8.60	9.40	\$ 298.05
10"	10.70	11.50	\$ 319.53
12"	12.70	13.50	\$ 331.89
14"	13.80	14.40	\$ 402.11
	15.20	16.00	\$ 402.11
16"	17.20	18.00	\$ 442.83
18"	19.20	20.00	\$ 463.54
20"	20.80	21.90	\$ 489.42

HOW TO ORDER:

Determine the product number (2786), the high limit of range (see above table), outlet size and outlet thread, and then use the appropriate ordering code as shown in the example.

2786 - 7.40" x 3/4" CC
ie. - 2786 - 7.40 x 3/4CC

Note: The 2786 is designed to be installed with a maximum torque of 45 ft. lbs.
* The high limit of the range is used in the ordering code

ROBAR INDUSTRIES LTD.

BC Phone (604) 591-8811 / 1-800-663-6553
Fax (604) 591-5288
Email: waterworks@robarindustries.com

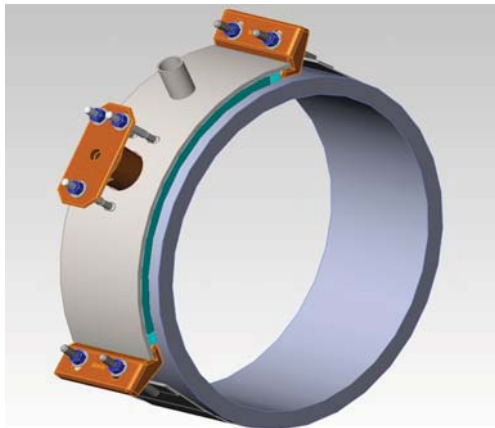
LES PRODUITS INDUSTRIELS ROBAR INC.

QUEBEC Phone (450) 441-7525 / 1-800-315-9525
Fax (450) 441-4894
Web: www.Robarindustries.com



2996 Concrete Pressure Pipe Saddle

PRICE INFORMATION



Sizes Available: 16" - 36" Nominal Pipe
Outlets from 3/4" - 2" in AWWA taper (CC) or Female Iron Pipe (IP)
Fits Concrete Cylinder Pipe

Use:
ROBAR 2996 Concrete Cylinder Service Saddle are used to take a service outlet off a transmission line or distribution line.

Material Specification:

Top Plate: ASTM A36
Outlet: Cast Ductile Iron
Strap: T-304L Stainless Steel, fully passivated
Fasteners: 5/8" NC T-304L Stainless Steel studs, rolled threads, nuts coated
Coating: Corrosion Protective Epoxy per AWWA C213

Nominal Pipe Size	List Price
16"	\$ 728.88
18"	\$ 773.60
20"	\$ 818.29
24"	\$ 864.59
30"	\$ 895.80
36"	\$ 1,074.96

Larger sizes available upon request

HOW TO ORDER:

Determine the product number (2996), outlet size and outlet thread, then provide the concrete OD and the Cylinder OD as shown in the example.

2996 - 24" x 3/4" CC

ie. - 2996 - 24" x 3/4CC conc OD=29.00", Cylinder OD=27.00"

Note: Outside diameter of the concrete and cylinder are required at time of order.

ROBAR INDUSTRIES LTD.

BC Phone (604) 591-8811 / 1-800-663-6553
Fax (604) 591-5288
Email: waterworks@robarindustries.com

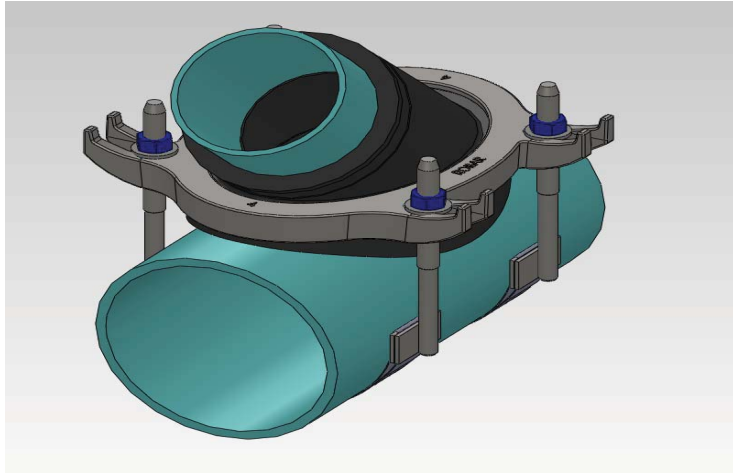
LES PRODUITS INDUSTRIELS ROBAR INC.

QUEBEC Phone (450) 441-7525 / 1-800-315-9525
Fax (450) 441-4894
Web: www.Robarindustries.com



3406 & 3506 SEWER SADDLE

45 degree Outlet
PRICE INFORMATION

**Standard Sizes:**

6" to 48" Nominal Pipe OD on main line, 4" IPS & SDR inlet line. Sizes other than those specified may be ordered by contacting ROBAR.

Material Specification:

Body: Cast Ductile Iron per ASTM A536

Gasket: NBR per ASTM D2000 formulated with Anti-freezing and anti-ozone agent

Strap: 1-1/2" wide T-304 Stainless steel, 24 gauge, fully passivated

Nominal Pipe Size	Working Range	Strap Length	LIST PRICE	
			3406 Enamel	3506 Epoxy
6" - 10"	6.27" - 12.75"	36"	\$ 173.49	\$ 194.36
12"	12.75" - 14.40"	48"	\$ 183.71	\$ 204.61
14" - 24"	14.40" - 25.80"	96"	\$ 197.62	\$ 218.51
26" - 48"	25.80" - 54.00"	192"	\$ 279.39	\$ 300.28

Must specify when ordering which gasket size is required. 4.21" or 4.50"

HOW TO ORDER:

Determine the product number (3406 or 3506), the OD of sewer main and the actual OD of the branch, then order by using the appropriate ordering code as shown in the following example.

If a 4" branch (4.50"OD) off a 12" HDPE sewer main is required, the ordering code is:

3506 - 12.75" x 4.50"

ROBAR INDUSTRIES LTD.

BC Phone (604) 591-8811 / 1-800-663-6553
Fax (604) 591-5288
Email: waterworks@robarindustries.com

LES PRODUITS INDUSTRIELS ROBAR INC.

QUEBEC Phone (450) 441-7525 / 1-800-315-9525
Fax (450) 441-4894
Web: www.Robarindustries.com