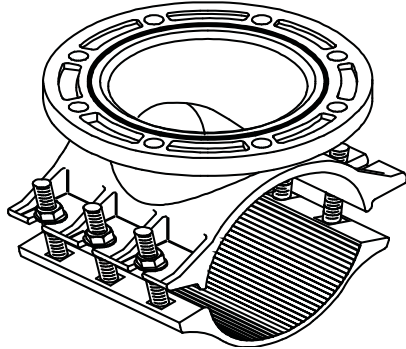
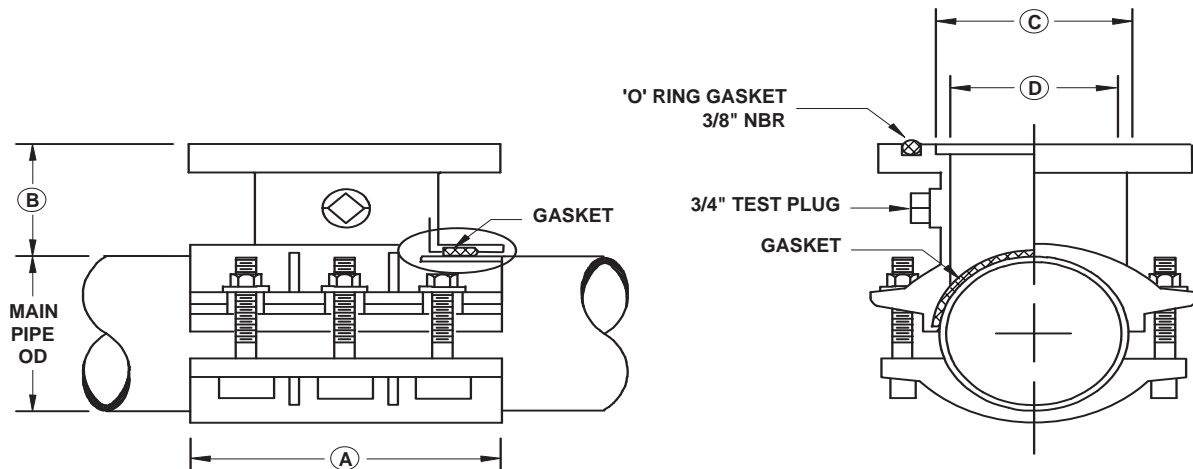


# 6404 & 6506 TAPPING SLEEVES

CAST DUCTILE IRON  
PRICE INFORMATION



Nominal Pipe Size	Working Range	Ordering Code	List Price	
			Enamel	Epoxy
			6404	6506
4 x 4	4.74 - 5.10	PN - 4" x 4" x OD	\$ 569.53	\$ 769.60
6 x 4	6.86 - 7.10	PN - 6" x 4" x OD	\$ 586.90	\$ 793.69
6 x 6	6.86 - 7.10	PN - 6" x 6" x OD	\$ 731.84	\$ 901.07
8 x 4	8.99 - 9.30	PN - 8" x 4" x OD	\$ 627.31	\$ 833.31
8 x 6	8.99 - 9.31	PN - 8" x 6" x OD	\$ 653.40	\$ 903.03
8 x 8	8.99 - 9.32	PN - 8" x 8" x OD	\$ 871.08	\$ 1,107.96



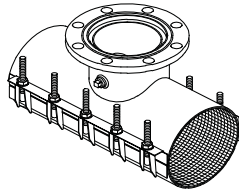
Nominal Size	Outlet Size	Sleeve Length	Flange Height (B)	Spigot OD	Branch ID (D)	Number of Bolts	Bolt Size
4"	4	8	3 5/8	5 1/32	4 3/8	6	3/4
6"	4	8 1/2	3 5/8	5 1/32	4 3/8	6	3/4
	6	8 1/2	3 5/8	7 1/32	6 3/8	6	3/4
8"	4	8 1/2	3 3/4	5 1/32	4 3/8	6	3/4
	6	8 1/2	3 3/4	7 1/32	6 3/8	6	3/4
	8	8 1/2	3 3/4	9 1/32	8 3/8	6	3/4

**ROBAR INDUSTRIES LTD.**

BC Phone (604) 591-8811 / 1-800-663-6553  
 Fax (604) 591-5288  
 Email waterworks@robarindustries.com

**LES PRODUITS INDUSTRIELS ROBAR INC.**

QUEBEC Phone (450) 441-7525 / 1-800-315-9525  
 Fax (450) 441-4894  
 Web www.Robarindustries.com



# 6606 TAPPING SLEEVES

STAINLESS STEEL  
PRICE INFORMATION

Nominal Pipe Size	By x	Outlet Size	LIST PRICE	Fitting Length	Number of Bolts	Working Range	
						LOW	HIGH
4"	x	3	\$ 945.99	12	8	4.70	4.95
		4	\$ 945.99	12	8	4.95	5.20
6"	x	3	\$ 945.99	12	8	6.40	6.80
		4	\$ 945.99	12	8	6.80	7.20
6"	x	6	\$ 1,293.31	16	10	7.20	7.60
						6.75	7.00
						6.85	7.10
						7.00	7.25
8"	x	3	\$ 955.50	12	8	7.25	7.50
		4	\$ 955.50	12	8	8.40	8.80
		6	\$ 1,161.54	16	10	8.80	9.20
8"	x	8	\$ 1,869.08	20	12	9.20	9.60
						8.95	9.20
10"	x	3	\$ 998.85	12	8	9.25	9.50
		4	\$ 998.85	12	8	10.55	10.95
		6	\$ 1,283.91	16	10	10.90	11.30
		8	\$ 1,832.01	20	14	11.30	11.70
		10	\$ 2,319.21	20	14	11.90	12.30
12"	x	3	\$ 1,080.63	12	8	12.15	12.55
		4	\$ 1,080.63	12	8	12.55	12.95
		6	\$ 1,389.47	16	10	13.00	13.40
		8	\$ 1,964.05	20	14	13.40	13.80
		10	\$ 2,269.08	20	14	13.80	14.20
		12	\$ 3,203.32	24	16		
14"	x	3	\$ 1,176.42	12	8	15.10	15.50
		4	\$ 1,176.42	12	8	15.50	15.90
		6	\$ 1,513.95	16	10	15.80	16.20
		8	\$ 2,119.63	20	14	16.20	16.60
		10	\$ 2,436.63	20	14		
		12	\$ 3,428.48	24	16		

All dimensions are in inches  
Continued...

Note: Size on size for IPS OD is not available  
When ordering a 6606 tapping sleeve, price is determined by the flange size and not by working range.  
The working range is only a guideline, other ranges can be fabricated

**ROBAR INDUSTRIES LTD.**

**BC** Phone (604) 591-8811 / 1-800-663-6553  
Fax (604) 591-5288  
Email waterworks@robarindustries.com

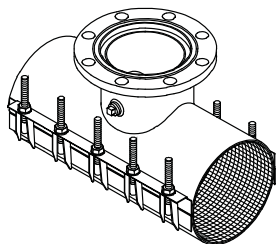
**LES PRODUITS INDUSTRIELS ROBAR INC.**

**QUEBEC** Phone (450) 441-7525 / 1-800-315-9525  
Fax (450) 441-4894  
Web www.Robarindustries.com



# 6606 TAPPING SLEEVES

## STAINLESS STEEL PRICE INFORMATION



Nominal Pipe Size	By x	Outlet Size	LIST PRICE	Fitting Length	Number of Bolts	Working Range	
						LOW	HIGH
16"	x	3	\$1,237.65	12	8	17.20	17.60
		4	\$1,237.65	12	8	17.40	17.80
		6	\$1,593.23	16	10	17.80	18.20
		8	\$2,218.76	20	14	18.40	18.80
		10	\$2,532.90	20	14	18.80	19.20
		12	\$3,537.36	24	16		
18"	x	3	\$1,329.75	12	12	19.30	19.70
		4	\$1,329.75	12	12	19.80	20.20
		6	\$1,712.65	16	15	20.20	20.60
		8	\$2,367.96	20	21		
		10	\$2,673.06	20	21		
		12	\$3,646.20	24	24		
20"	x	3	\$1,360.02	12	12	21.40	21.80
		4	\$1,360.02	12	12	22.00	22.40
		6	\$1,751.83	16	15	22.60	23.00
		8	\$2,417.01	20	21		
		10	\$2,725.63	20	21		
		12	\$3,755.16	24	24		
24"	x	3	\$1,513.40	12	12	23.20	23.60
		4	\$1,513.40	12	12	23.80	24.20
		6	\$1,950.56	16	15	25.60	26.00
		8	\$2,665.35	20	21		
		10	\$2,990.23	20	21		
		12	\$3,972.74	24	24		

*All dimensions are in inches*

Note: When ordering a 6606 tapping sleeve, price is determined by the flange size and not by working range.  
The working range is only a guideline, other ranges can be fabricated

**ROBAR INDUSTRIES LTD.**  
**BC** Phone (604) 591-8811 / 1-800-663-6553  
 Fax (604) 591-5288  
 Email waterworks@robarindustries.com

**LES PRODUITS INDUSTRIELS ROBAR INC.**  
**QUEBEC** Phone (450) 441-7525 / 1-800-315-9525  
 Fax (450) 441-4894  
 Web www.Robarindustries.com

# 6606 BOLT BRACKET TAPPING SLEEVES

## STAINLESS STEEL PRICE INFORMATION

Nominal Pipe Size	By x	Outlet Size	LIST PRICE	Fitting Length	Number of Bolts	Working Range	
						LOW	HIGH
6"	x	4	\$ 1,167.83	12	8	6.40	6.80
						6.80	7.20
						7.20	7.60
6"	x	6	\$ 1,565.21	16	10	6.75	7.00
						6.85	7.10
						7.00	7.25
						7.25	7.50
						8.40	8.80
8"	x	3	\$ 1,300.83	12	8	8.80	9.20
		4	\$ 1,300.83	12	8	9.20	9.60
		6	\$ 1,552.49	16	10	8.95	9.20
8"	x	8	\$ 2,178.72	20	12	9.25	9.50
						10.55	10.95
10"	x	3	\$ 1,251.52	12	8	10.90	11.30
		4	\$ 1,251.52	12	8	11.30	11.70
		6	\$ 1,659.58	16	10	11.90	12.30
		8	\$ 2,144.47	20	14		
		10	\$ 2,713.00	20	14		
12"	x	3	\$ 1,338.93	12	8	12.15	12.55
		4	\$ 1,338.93	12	8	12.55	12.95
		6	\$ 1,772.92	16	10	13.00	13.40
		8	\$ 2,290.18	20	14	13.40	13.80
		10	\$ 2,632.13	20	14	13.80	14.20
		12	\$ 3,642.80	24	16		
14"	x	3	\$ 1,440.94	12	8	15.10	15.50
		4	\$ 1,440.94	12	8	15.50	15.90
		6	\$ 1,895.76	16	10	15.80	16.20
		8	\$ 2,455.57	20	14	16.20	16.60
		10	\$ 2,835.37	20	14		
		12	\$ 3,894.54	24	16		

All dimensions are in inches

Continued...

Note: Size on size for IPS OD is not available

When ordering a 6606BB tapping sleeve, price is determined by the flange size and not by working range.

The working range is only a guideline, other ranges can be fabricated

### ROBAR INDUSTRIES LTD.

**BC** Phone (604) 591-8811 / 1-800-663-6553  
 Fax (604) 591-5288  
 Email waterworks@robarindustries.com

### LES PRODUITS INDUSTRIELS ROBAR INC.

**QUEBEC** Phone (450) 441-7525 / 1-800-315-9525  
 Fax (450) 441-4894  
 Web www.Robarindustries.com



# 6606 BOLT BRACKET TAPPING SLEEVES

STAINLESS STEEL  
PRICE INFORMATION

Nominal Pipe Size	By x	Outlet Size	LIST PRICE	Fitting Length	Number of Bolts	Working Range	
						LOW	HIGH
16"	x	3	\$ 1,505.69	12	8	17.20	17.60
		4	\$ 1,505.69	12	8	17.40	17.80
		6	\$ 1,976.70	16	10	17.80	18.20
		8	\$ 2,560.83	20	14	18.40	18.80
		10	\$ 2,919.50	20	14	18.80	19.20
		12	\$ 4,043.50	24	16		
18"	x	3	\$ 1,756.56	12	12	19.30	19.70
		4	\$ 1,756.56	12	12	19.80	20.20
		6	\$ 2,117.11	16	15	20.20	20.60
		8	\$ 2,660.74	20	21		
		10	\$ 3,097.96	20	21		
		12	\$ 4,080.74	24	24		
20"	x	3	\$ 1,788.16	12	12	21.40	21.80
		4	\$ 1,788.16	12	12	22.00	22.40
		6	\$ 2,158.35	16	15	22.60	23.00
		8	\$ 2,711.58	20	21		
		10	\$ 3,205.27	20	21		
		12	\$ 4,210.69	24	24		
24"	x	3	\$ 1,946.61	12	12	23.20	23.60
		4	\$ 1,946.61	12	12	23.80	24.20
		6	\$ 2,505.65	16	15	25.60	26.00
		8	\$ 3,149.26	20	21		
		10	\$ 3,343.12	20	21		
		12	\$ 4,501.76	24	24		

*All dimensions are in inches*

Note: When ordering a 6606BB tapping sleeve, price is determined by the flange size and not by working range.

The working range is only a guideline, other ranges can be fabricated

## ROBAR INDUSTRIES LTD.

**BC** Phone (604) 591-8811 / 1-800-663-6553  
 Fax (604) 591-5288  
 Email waterworks@robarindustries.com

## LES PRODUITS INDUSTRIELS ROBAR INC.

**QUEBEC** Phone (450) 441-7525 / 1-800-315-9525  
 Fax (450) 441-4894  
 Web www.Robarindustries.com



# Stainless Steel MJ Tapping Sleeves

6606MJ, 6606MJBB, 6606CSMJ, 6606CSMJBB

PRICE INFORMATION

Nominal Pipe Size	By x	Outlet Size	LIST PRICE				Fitting Length	Number of Bolts	Working Range	
			6606 MJ	6606 CSMJ	6606 MJBB	6606 CSMJBB			LOW	HIGH
6"	x	3	\$ 1,111.26	\$ 809.99	\$ 1,333.52	\$ 1,032.23	12	8	6.40	6.80
		4	\$ 1,111.26	\$ 809.99	\$ 1,333.52	\$ 1,032.23	12	8	6.80	7.20
6"	x	6	\$ 1,419.94	\$ 1,081.63	\$ 1,692.83	\$ 1,353.27	16	10	7.20	7.60
									7.20	7.60
									7.20	7.60
									7.20	7.60
8"	x	3	\$ 1,123.61	\$ 835.91	\$ 1,469.34	\$ 1,058.17	12	8	8.40	8.80
		4	\$ 1,123.61	\$ 835.91	\$ 1,469.34	\$ 1,058.17	12	8	8.80	9.20
		6	\$ 1,481.68	\$ 1,117.44	\$ 1,873.09	\$ 1,385.38	16	10	9.20	9.60
8"	x	8	\$ 2,000.26	\$ 1,479.21	\$ 2,308.95	\$ 1,789.13	20	12	8.95	9.20
10"	x	3	\$ 1,154.47	\$ 864.31	\$ 1,407.60	\$ 1,081.63	12	8	9.25	9.50
		4	\$ 1,154.47	\$ 864.31	\$ 1,407.60	\$ 1,081.63	12	8	10.55	10.95
		6	\$ 1,528.61	\$ 1,153.24	\$ 1,905.19	\$ 1,406.37	16	10	10.90	11.30
		8	\$ 2,074.36	\$ 1,538.48	\$ 2,387.97	\$ 1,850.87	20	14	11.30	11.70
		10	\$ 2,358.34	\$ 1,629.84	\$ 2,752.22	\$ 2,023.73	20	14	11.90	12.30
12"	x	3	\$ 1,210.04	\$ 896.42	\$ 1,469.34	\$ 1,111.26	12	8		
		4	\$ 1,210.04	\$ 896.42	\$ 1,469.34	\$ 1,111.26	12	8	12.15	12.55
		6	\$ 1,574.29	\$ 1,201.40	\$ 1,958.28	\$ 1,523.66	16	10	12.55	12.95
		8	\$ 2,105.23	\$ 1,573.05	\$ 2,432.42	\$ 1,899.03	20	14	13.00	13.40
		10	\$ 2,444.78	\$ 1,679.24	\$ 2,809.02	\$ 2,042.24	20	14	13.40	13.80
		12	\$ 3,333.78	\$ 2,160.78	\$ 3,773.35	\$ 2,600.35	24	16	13.80	14.20
14"	x	3	\$ 1,327.34	\$ 979.14	\$ 1,592.81	\$ 1,193.99	12	8		
		4	\$ 1,327.34	\$ 979.14	\$ 1,592.81	\$ 1,193.99	12	8	15.10	15.50
		6	\$ 1,703.94	\$ 1,326.11	\$ 2,086.70	\$ 1,621.21	16	10	15.50	15.90
		8	\$ 2,284.26	\$ 1,734.81	\$ 2,621.34	\$ 2,070.65	20	14	15.80	16.20
		10	\$ 2,570.72	\$ 1,813.82	\$ 2,969.54	\$ 2,212.64	20	14	16.20	16.60
		12	\$ 3,559.74	\$ 2,322.54	\$ 4,026.46	\$ 2,788.03	24	16		

All dimensions are in inches

Continued...

Note: Size on size for IPS OD is not available  
 When ordering a 6606 tapping sleeve, price is determined by the flange size and not by working range.  
 The working range is only a guideline, other ranges can be fabricated

## ROBAR INDUSTRIES LTD.

BC Phone (604) 591-8811 / 1-800-663-6553  
 Fax (604) 591-5288  
 Email waterworks@robarindustries.com

## LES PRODUITS INDUSTRIELS ROBAR INC.

QUEBEC Phone: (450) 441-7525/1-800-315-9525  
 Fax: (450) 441-4894  
 Web: www.Robarindustries.com



# Stainless Steel MJ Tapping Sleeves

6606MJ, 6606MJBB, 6606CSMJ, 6606CSMJBB

Price Information

Nominal Pipe Size	By x	Outlet Size	LIST PRICE				Fitting Length	Number of Bolts	Working Range	
			6606 MJ	6606 CSMJ	6606 MJBB	6606 CSMJBB			LOW	HIGH
16"	x	3	\$ 1,373.02	\$ 1,012.48	\$ 1,642.20	\$ 1,219.92	12	8	17.20	17.60
		4	\$ 1,373.02	\$ 1,012.48	\$ 1,642.20	\$ 1,219.92	12	8	17.40	17.80
		6	\$ 1,778.02	\$ 1,374.26	\$ 2,162.02	\$ 1,682.95	16	10	17.80	18.20
		8	\$ 2,345.99	\$ 1,801.48	\$ 2,689.25	\$ 2,143.49	20	14	18.40	18.80
		10	\$ 2,667.02	\$ 1,880.50	\$ 3,054.73	\$ 2,266.97	20	14	18.80	19.20
		12	\$ 3,664.69	\$ 2,379.33	\$ 4,170.93	\$ 2,811.49	24	16		
18"	x	3	\$ 1,518.73	\$ 1,163.12	\$ 1,945.94	\$ 1,589.10	12	12	19.30	19.70
		4	\$ 1,518.73	\$ 1,163.12	\$ 1,945.94	\$ 1,589.10	12	12	19.80	20.20
		6	\$ 1,944.71	\$ 1,574.29	\$ 2,349.69	\$ 2,071.88	16	15	20.20	20.60
		8	\$ 2,568.25	\$ 2,057.07	\$ 2,862.11	\$ 2,674.43	20	21		
		10	\$ 2,870.76	\$ 2,139.79	\$ 3,296.73	\$ 2,754.69	20	21		
		12	\$ 3,778.28	\$ 2,696.66	\$ 4,212.91	\$ 3,409.10	24	24		
20"	x	3	\$ 1,561.94	\$ 1,192.75	\$ 1,990.39	\$ 1,621.21	12	12	21.40	21.80
		4	\$ 1,561.94	\$ 1,192.75	\$ 1,990.39	\$ 1,621.21	12	12	22.00	22.40
		6	\$ 2,006.44	\$ 1,618.73	\$ 2,413.91	\$ 2,116.34	16	15	22.60	23.00
		8	\$ 2,654.68	\$ 2,116.34	\$ 2,949.78	\$ 2,731.23	20	21		
		10	\$ 2,963.36	\$ 2,224.99	\$ 3,443.68	\$ 2,838.65	20	21		
		12	\$ 3,885.71	\$ 2,799.14	\$ 4,341.32	\$ 3,510.35	24	24		
24"	x	3	\$ 1,697.76	\$ 1,287.83	\$ 2,131.15	\$ 1,719.98	12	12	23.20	23.60
		4	\$ 1,697.76	\$ 1,287.83	\$ 2,131.15	\$ 1,719.98	12	12	23.80	24.20
		6	\$ 2,160.78	\$ 1,759.50	\$ 2,716.41	\$ 2,313.89	16	15	25.60	26.00
		8	\$ 2,839.89	\$ 2,289.19	\$ 3,323.90	\$ 2,901.62	20	21		
		10	\$ 3,142.39	\$ 2,368.22	\$ 3,495.53	\$ 2,979.42	20	21		
		12	\$ 4,100.56	\$ 2,970.77	\$ 4,630.25	\$ 3,679.51	24	24		

All dimensions are in inches

Note: When ordering a 6606 tapping sleeve, price is determined by the flange size and not by working range.  
The working range is only a guideline, other ranges can be fabricated

**ROBAR INDUSTRIES LTD.**

BC Phone (604) 591-8811 / 1-800-663-6553  
Fax (604) 591-5288  
Email waterworks@robarindustries.com

**LES PRODUITS INDUSTRIELS ROBAR INC.**

QUEBEC Phone: (450) 441-7525/1-800-315-9525  
Fax: (450) 441-4894  
Web: www.Robarindustries.com



# CSF6606 TAPPING SLEEVES

**STAINLESS STEEL BODY WITH MILD STEEL FLANGE**  
**PRICE INFORMATION**

Nominal Pipe Size	By x	Outlet Size	Lifter Bar List Price	Bolt Bracket List Price	Fitting Length	Number of Bolts	Working Range	
							LOW	HIGH
6"	x	3	\$ 761.81	\$ 910.03	12	8	6.40	6.80
		4	\$ 761.81	\$ 910.03	12	8	6.80	7.20
6"	x	6	\$ 1,010.31	\$ 1,228.35	16	10	7.20	7.60
							6.75	7.00
							6.85	7.10
							7.00	7.25
8"	x	3	\$ 784.84	\$ 933.04	12	8	7.25	7.50
		4	\$ 784.84	\$ 933.04	12	8	8.40	8.80
		6	\$ 1,044.44	\$ 1,262.48	16	10	8.80	9.20
8"	x	8	\$ 1,381.72	\$ 1,644.03	20	12	9.20	9.60
							8.95	9.20
10"	x	3	\$ 807.28	\$ 955.50	12	8	9.25	9.50
		4	\$ 807.28	\$ 955.50	12	8	10.55	10.95
		6	\$ 1,077.69	\$ 1,295.73	16	10	10.90	11.30
		8	\$ 1,436.82	\$ 1,699.12	20	12	11.30	11.70
		10	\$ 1,510.76	\$ 1,773.06	20	12	11.90	12.30
12"	x	3	\$ 837.65	\$ 985.86	12	8		
		4	\$ 837.65	\$ 985.86	12	8	12.15	12.55
		6	\$ 1,122.71	\$ 1,340.76	16	10	12.55	12.95
		8	\$ 1,469.97	\$ 1,732.27	20	12	13.00	13.40
		10	\$ 1,569.21	\$ 1,831.51	20	12	13.40	13.80
		12	\$ 2,019.33	\$ 2,325.88	24	16	13.80	14.20
14"	x	3	\$ 914.47	\$ 1,062.68	12	8		
		4	\$ 914.47	\$ 1,062.68	12	8	15.10	15.50
		6	\$ 1,238.43	\$ 1,456.47	16	10	15.50	15.90
		8	\$ 1,620.38	\$ 1,882.68	20	12	15.80	16.20
		10	\$ 1,694.32	\$ 1,956.62	20	12	16.20	16.60
		12	\$ 2,169.49	\$ 2,476.04	24	16		

*All dimensions are in inches  
Continued...*

Note: Size on size for IPS OD is not available  
When ordering a 6606 tapping sleeve, price is determined by the flange size and not by working range.  
The working range is only a guideline, other ranges can be fabricated

**ROBAR INDUSTRIES LTD.**  
BC Phone (604) 591-8811 / 1-800-663-6553  
Fax (604) 591-5288  
Email waterworks@robarindustries.com

**LES PRODUITS INDUSTRIELS ROBAR INC**  
QUEBEC Phone (450) 441-7525/1-800-315-9525  
Fax (450) 441-4894  
Web www.Robarindustries.com





# CSF6606 TAPPING SLEEVES

## STAINLESS STEEL BODY WITH MILD STEEL FLANGE

### Price Information

Nominal Pipe Size	By x	Outlet Size	Lifter Bar List Price	Bolt Bracket List Price	Fitting Length	Number of Bolts	Working Range	
							LOW	HIGH
16"	x	3	\$ 946.23	\$ 1,094.44	12	8	17.20	17.60
		4	\$ 946.23	\$ 1,094.44	12	8	17.40	17.80
		6	\$ 1,283.55	\$ 1,501.58	16	10	17.80	18.20
		8	\$ 1,683.09	\$ 1,945.39	20	12	18.40	18.80
		10	\$ 1,757.03	\$ 2,019.33	20	12	18.80	19.20
		12	\$ 2,223.67	\$ 2,530.21	24	16		
18"	x	3	\$ 1,086.16	\$ 1,430.31	12	12	19.30	19.70
		4	\$ 1,086.16	\$ 1,430.31	12	12	19.80	20.20
		6	\$ 1,470.82	\$ 1,972.92	16	15	20.20	20.60
		8	\$ 1,922.11	\$ 2,546.17	20	21		
		10	\$ 1,998.68	\$ 2,622.74	20	21		
		12	\$ 2,519.26	\$ 3,246.56	24	24		
20"	x	3	\$ 1,114.53	\$ 1,458.66	12	12	21.40	21.80
		4	\$ 1,114.53	\$ 1,458.66	12	12	22.00	22.40
		6	\$ 1,512.81	\$ 2,014.91	16	15	22.60	23.00
		8	\$ 1,976.76	\$ 2,600.81	20	21		
		10	\$ 2,078.64	\$ 2,702.71	20	21		
		12	\$ 2,615.36	\$ 3,342.66	24	24		
24"	x	3	\$ 1,202.49	\$ 1,546.63	12	12	23.20	23.60
		4	\$ 1,202.49	\$ 1,546.63	12	12	23.80	24.20
		6	\$ 1,643.25	\$ 2,145.36	16	15	25.60	26.00
		8	\$ 2,138.47	\$ 2,762.52	20	21		
		10	\$ 2,212.40	\$ 2,836.47	20	21		
		12	\$ 2,776.01	\$ 3,503.30	24	24		

*All dimensions are in inches*

Note: When ordering a 6606 tapping sleeve, price is determined by the flange size and not by working range.  
The working range is only a guideline, other ranges can be fabricated

**ROBAR INDUSTRIES LTD.**

**BC** Phone (604) 591-8811 / 1-800-663-6553  
 Fax (604) 591-5288  
 Email waterworks@robarindustries.com

**LES PRODUITS INDUSTRIELS ROBAR INC.**

**QUEBEC** Phone (450) 441-7525 / 1-800-315-9525  
 Fax (450) 441-4894  
 Web www.Robarindustries.com



# 6626 OUTLET SLEEVES

## STAINLESS STEEL PRICE INFORMATION

Nominal Pipe Size	By x	Outlet Size	LIST PRICE	Fitting Length	Number of Bolts	Working Range	
						LOW	HIGH
4"	x	3	\$ 864.97	12	8	4.70	4.95
		4	\$ 864.97	12	8	4.95	5.20
6"	x	3	\$ 864.97	12	8	6.40	6.80
		4	\$ 864.97	12	8	6.80	7.20
6"	x	6	\$ 1,202.47	16	10	7.20	7.60
						6.75	7.00
8"	x	3	\$ 874.23	12	8	6.85	7.10
		4	\$ 874.23	12	8	7.00	7.25
		6	\$ 1,153.86	16	10	7.25	7.50
8"	x	8	\$ 1,536.78	20	12	8.40	8.80
						8.80	9.20
10"	x	3	\$ 916.30	12	8	9.20	9.60
		4	\$ 916.30	12	8	8.95	9.20
		6	\$ 1,210.00	16	10	9.25	9.50
		8	\$ 1,487.57	20	12	10.55	10.95
		10	\$ 1,954.32	20	12	10.90	11.30
12"	x	3	\$ 995.54	12	8	11.30	11.70
		4	\$ 995.54	12	8	11.90	12.30
		6	\$ 1,315.64	16	10		
		8	\$ 1,619.58	20	12	12.15	12.55
		10	\$ 1,905.32	20	12	12.55	12.95
		12	\$ 2,595.94	24	16	13.00	13.40
14"	x	3	\$ 1,088.89	12	8	13.40	13.80
		4	\$ 1,088.89	12	8	13.80	14.20
		6	\$ 1,440.13	16	10		
		8	\$ 1,775.18	20	12	15.10	15.50
		10	\$ 2,060.92	20	12	15.50	15.90
		12	\$ 2,547.97	24	16	15.80	16.20

All dimensions are in inches  
Continued...

Note: Size on size for IPS OD is not available  
When ordering a 6606 tapping sleeve, price is determined by the flange size and not by working range.  
The working range is only a guideline, other ranges can be fabricated

**ROBAR INDUSTRIES LTD.**  
BC Phone (604) 591-8811 / 1-800-663-6553  
Fax (604) 591-5288  
Email waterworks@robarindustries.com

**LES PRODUITS INDUSTRIELS ROBAR INC.**  
QUEBEC Phone (450) 441-7525 / 1-800-315-9525  
Fax (450) 441-4894  
Web www.Robarindustries.com



# 6626 OUTLET SLEEVES

STAINLESS STEEL  
PRICE INFORMATION

Nominal Pipe Size	By x	Outlet Size	LIST PRICE	Fitting Length	Number of Bolts	Working Range	
						LOW	HIGH
16"	x	3	\$ 1,169.20	12	8	17.20	17.60
		4	\$ 1,169.20	12	8	17.40	17.80
		6	\$ 1,547.05	16	10	17.80	18.20
		8	\$ 1,908.38	20	12	18.40	18.80
		10	\$ 2,199.73	20	12	18.80	19.20
		12	\$ 2,715.38	24	16		
18"	x	3	\$ 1,260.39	12	12	19.30	19.70
		4	\$ 1,260.39	12	12	19.80	20.20
		6	\$ 1,668.60	16	15	20.20	20.60
		8	\$ 2,060.33	20	18		
		10	\$ 2,351.26	20	18		
		12	\$ 2,897.70	24	24		
20"	x	3	\$ 1,290.35	12	12	21.40	21.80
		4	\$ 1,290.35	12	12	22.00	22.40
		6	\$ 1,708.49	16	15	22.60	23.00
		8	\$ 2,110.20	20	18		
		10	\$ 2,401.13	20	18		
		12	\$ 2,957.59	24	24		
24"	x	3	\$ 1,442.04	12	12	23.20	23.60
		4	\$ 1,442.04	12	12	23.80	24.20
		6	\$ 1,910.81	16	16	25.60	26.00
		8	\$ 2,363.09	20	18		
		10	\$ 2,654.04	20	18		
		12	\$ 3,261.02	24	24		

*All dimensions are in inches*

Note: When ordering a 6606 tapping sleeve, price is determined by the flange size and not by working range.

The working range is only a guideline, other ranges can be fabricated

## ROBAR INDUSTRIES LTD.

BC Phone (604) 591-8811 / 1-800-663-6553  
Fax (604) 591-5288  
Email waterworks@robarindustries.com

## LES PRODUITS INDUSTRIELS ROBAR INC.

QUEBEC Phone (450) 441-7525 / 1-800-315-9525  
Fax (450) 441-4894  
Web www.Robarindustries.com



# 6636 ABANDON SERVICE SLEEVE

## STAINLESS STEEL PRICE INFORMATION

### ABANDON SLEEVE with 3" End Cap - 12" wide

#### LIST PRICE

Nominal Size	Outlet Size	Bolt Bracket	Finger Closure
4"	3"	\$ 807.51	\$ 660.58
6"		\$ 837.71	\$ 681.40
8"		\$ 869.27	\$ 703.69
10"		\$ 896.29	\$ 725.15
12"		\$ 941.67	\$ 818.09
14"		\$ 1,040.58	\$ 899.48
16"		\$ 1,076.84	\$ 932.37
18"		\$ 1,395.07	\$ 1,095.68
20"		\$ 1,422.83	\$ 1,126.54
22"		\$ 1,482.34	\$ 1,163.71
24"		\$ 1,560.29	\$ 1,221.43

Notes:

3" end cap used to seal off a 3/4" or 1" main stop

4" end cap used to seal off a 1-1/2" or 2" main stop

### ABANDON SLEEVE with 3" End Cap - 8" wide

#### LIST PRICE

Nominal Size	Outlet Size	Bolt Bracket	Finger Closure
4"	3"	\$ 748.57	\$ 612.36
6"		\$ 776.56	\$ 631.66
8"		\$ 805.82	\$ 652.33
10"		\$ 830.85	\$ 672.21
12"		\$ 872.94	\$ 758.38
14"		\$ 964.63	\$ 833.83
16"		\$ 998.23	\$ 864.30
18"		\$ 1,293.22	\$ 1,015.69
20"		\$ 1,318.96	\$ 1,044.31
22"		\$ 1,374.13	\$ 1,078.77
24"		\$ 1,446.39	\$ 1,132.26

### ABANDON SLEEVE with 4" End Cap - 12" wide

#### LIST PRICE

Nominal Size	Outlet Size	Bolt Bracket	Finger Closure
6"	4"	\$ 949.13	\$ 763.39
8"		\$ 966.98	\$ 782.79
10"		\$ 987.79	\$ 806.67
12"		\$ 1,037.82	\$ 910.03
14"		\$ 1,146.82	\$ 991.31
16"		\$ 1,175.69	\$ 1,027.58
18"		\$ 1,483.32	\$ 1,207.53
20"		\$ 1,538.79	\$ 1,241.57
22"		\$ 1,603.14	\$ 1,270.52
24"		\$ 1,687.47	\$ 1,333.56

#### ROBAR INDUSTRIES LTD.

BC Phone (604) 591-8811 / 1-800-663-6553  
Fax (604) 591-5288  
Email waterworks@robarindustries.com

#### LES PRODUITS INDUSTRIELS ROBAR INC.

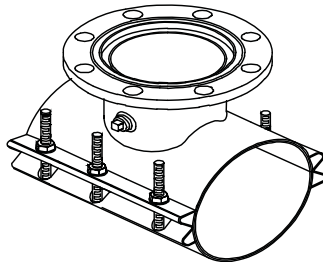
QUEBEC Phone (450) 441-7525 / 1-800-315-9525  
Fax (450) 441-4894  
Web www.Robarindustries.com



# 6808, 6806, 6908 & 6906 TAPPING SLEEVES

MILD STEEL

## PRICE INFORMATION



Nominal Pipe Size	By x	Outlet Size	LIST PRICE				Working Range	
			PRICE 6808	PRICE 6806	PRICE 6908	PRICE 6906	LOW	HIGH
6"	x	3	\$ 778.24	\$ 914.02	\$ 864.94	\$ 987.78	6.85	6.95
		4	\$ 778.24	\$ 914.02	\$ 864.94	\$ 987.78		
		6	\$ 839.87	\$ 975.75	\$ 934.05	\$ 1,037.49		
8"	x	3	\$ 814.29	\$ 932.45	\$ 901.95	\$ 994.06	8.50	8.90
		4	\$ 814.29	\$ 932.45	\$ 901.95	\$ 994.06	8.90	9.30
		6	\$ 887.09	\$ 1,005.23	\$ 987.54	\$ 1,066.82	9.30	9.70
		8	\$ 1,315.25	\$ 1,472.75	\$ 1,360.57	\$ 1,494.98		
10"	x	3	\$ 839.84	\$ 957.98	\$ 940.16	\$ 1,055.61	9.70	10.10
		4	\$ 839.84	\$ 957.98	\$ 940.16	\$ 1,055.61	10.10	10.50
		6	\$ 929.54	\$ 1,047.78	\$ 1,027.30	\$ 1,145.43	10.50	10.90
		8	\$ 1,368.44	\$ 1,525.97	\$ 1,414.06	\$ 1,584.22	10.90	11.30
		10	\$ 1,775.11	\$ 1,972.02	\$ 1,761.09	\$ 1,990.87	11.30	11.70
							11.70	12.10
12"	x	3	\$ 892.17	\$ 1,010.33	\$ 1,047.17	\$ 1,149.34	12.10	12.50
		4	\$ 892.17	\$ 1,010.33	\$ 1,047.17	\$ 1,149.34	12.50	12.90
		6	\$ 979.86	\$ 1,081.82	\$ 1,134.31	\$ 1,237.02	12.90	13.30
		8	\$ 1,476.07	\$ 1,633.61	\$ 1,534.83	\$ 1,690.36	13.30	13.60
		10	\$ 1,850.28	\$ 2,047.19	\$ 1,894.09	\$ 2,124.92		
		12	\$ 2,220.28	\$ 2,417.18	\$ 2,267.09	\$ 2,477.45		
14"	x	3	\$ 929.51	\$ 1,047.64	\$ 1,100.68	\$ 1,244.68	13.60	14.05
		4	\$ 929.51	\$ 1,047.64	\$ 1,100.68	\$ 1,244.68	14.05	14.50
		6	\$ 1,057.50	\$ 1,175.65	\$ 1,213.80	\$ 1,372.66	14.50	14.95
		8	\$ 1,532.57	\$ 1,690.30	\$ 1,661.73	\$ 1,847.77	14.95	15.40
		10	\$ 1,958.65	\$ 2,155.55	\$ 2,027.09	\$ 2,273.81	15.30	15.75
		12	\$ 2,328.50	\$ 2,525.43	\$ 2,401.63	\$ 2,643.73		

All dimensions are in inches

Note: Size on size for IPS OD is not available

Continued...

When ordering a Mild Steel tapping sleeves, price is determined by the flange size and not by working range.

The working range is only a guideline, other ranges can be fabricated

### ROBAR INDUSTRIES LTD.

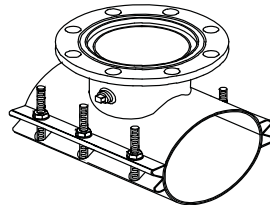
BC Phone (604) 591-8811 / 1-800-663-6553  
 Fax (604) 591-5288  
 Email waterworks@robarindustries.com

### LES PRODUITS INDUSTRIELS ROBAR INC.

QUEBEC Phone (450) 441-7525 / 1-800-315-9525  
 Fax (450) 441-4894  
 Web www.Robarindustries.com

# 6808, 6806, 6908 & 6906 TAPPING SLEEVES

MILD STEEL  
PRICE INFORMATION



Nominal Pipe Size	By x	Outlet Size	LIST PRICE				Working Range	
			PRICE 6808	PRICE 6806	Price 6908	PRICE 6906	LOW	HIGH
16"	x	3	\$ 965.68	\$ 1,083.79	\$1,160.31	\$ 1,322.82	15.75	16.15
		4	\$ 965.68	\$ 1,083.79	\$1,160.31	\$ 1,322.82	16.15	16.60
		6	\$ 1,106.45	\$ 1,224.57	\$1,281.08	\$ 1,463.56	16.60	17.05
		8	\$ 1,596.39	\$ 1,753.94	\$1,733.58	\$ 1,954.03	17.05	17.50
		10	\$ 2,027.82	\$ 2,225.59	\$2,134.10	\$ 2,385.85	17.40	17.85
		12	\$ 2,400.86	\$ 2,597.78	\$2,500.99	\$ 2,758.00		
18"	x	3	\$ 1,006.24	\$ 1,124.37	\$1,209.22	\$ 1,373.99	17.85	18.30
		4	\$ 1,006.24	\$ 1,124.37	\$1,209.22	\$ 1,373.99	18.30	18.75
		6	\$ 1,159.60	\$ 1,277.76	\$1,348.34	\$ 1,527.35	18.75	19.20
		8	\$ 1,665.90	\$ 1,823.41	\$1,814.60	\$ 2,033.68	19.20	19.65
		10	\$ 2,108.25	\$ 2,305.15	\$2,215.12	\$ 2,476.01	19.50	19.95
		12	\$ 2,478.13	\$ 2,675.06	\$2,627.89	\$ 2,845.89		
20"	x	3	\$ 1,039.17	\$ 1,157.32	\$1,264.26	\$ 1,467.80	19.90	20.40
		4	\$ 1,039.17	\$ 1,157.32	\$1,264.26	\$ 1,467.80	20.40	20.90
		6	\$ 1,211.74	\$ 1,329.87	\$1,414.06	\$ 1,640.38	20.90	21.40
		8	\$ 1,742.47	\$ 1,899.99	\$1,894.09	\$ 2,171.10	21.40	21.90
		10	\$ 2,181.65	\$ 2,378.53	\$2,374.11	\$ 2,610.25	21.90	22.15
		12	\$ 2,551.54	\$ 2,748.47	\$2,747.12	\$ 2,980.27	22.15	22.70
							22.70	23.25
24"	x	3	\$ 1,157.61	\$ 1,275.75	\$1,368.20	\$ 1,603.94	23.60	24.15
		4	\$ 1,157.61	\$ 1,275.75	\$1,368.20	\$ 1,603.94	24.15	24.70
		6	\$ 1,319.60	\$ 1,437.76	\$1,521.08	\$ 1,822.72	24.70	25.25
		8	\$ 1,872.10	\$ 2,029.61	\$2,011.80	\$ 2,318.48	25.25	25.80
		10	\$ 2,355.17	\$ 2,551.19	\$2,520.88	\$ 2,800.67	25.60	26.00
		12	\$ 2,724.21	\$ 2,921.10	\$2,921.39	\$ 3,170.57		

All Dimensions are in inches

Note: When ordering a Mild Steel tapping sleeve, price is determined by the flange size and not by working range.  
The working range is only a guideline, other ranges can be fabricated

## ROBAR INDUSTRIES LTD.

BC Phone (604) 591-8811 / 1-800-663-6553  
Fax (604) 591-5288  
Email waterworks@robarindustries.com

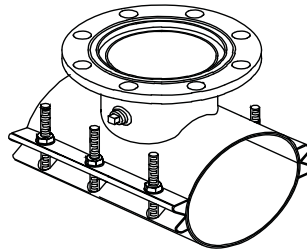
## LES PRODUITS INDUSTRIELS ROBAR INC.

QUEBEC Phone (450) 441-7525 / 1-800-315-9525  
Fax (450) 441-4894  
Web www.Robarindustries.com



# Carbon Steel MJ Tapping Sleeve

6808, 6806, 6908, 6906  
PRICE INFORMATION



LIST PRICE							Working Range	
Nominal Pipe Size	By x	Outlet Size	PRICE 6808MJ	PRICE 6806MJ	PRICE 6908MJ	PRICE 6906MJ	LOW	HIGH
6"	x	4	\$ 902.28	\$ 1,025.48	\$ 976.36	\$ 1,062.79	6.85	6.95
		6	\$ 1,043.60	\$ 1,143.32	\$ 1,130.15	\$ 1,204.23		
8"	x	4	\$ 914.75	\$ 1,056.44	\$ 988.90	\$ 1,081.01	8.50	8.90
		6	\$ 1,069.03	\$ 1,173.14	\$ 1,155.45	\$ 1,234.73	8.90	9.30
		8	\$ 1,334.50	\$ 1,534.45	\$ 1,422.27	\$ 1,556.68	9.30	9.70
10"	x	4	\$ 988.67	\$ 1,112.83	\$ 1,038.23	\$ 1,198.12	9.70	10.10
		6	\$ 1,106.28	\$ 1,210.86	\$ 1,191.61	\$ 1,260.35	10.10	10.50
		8	\$ 1,371.01	\$ 1,571.89	\$ 1,460.00	\$ 1,630.15	10.50	10.90
		10	\$ 1,692.64	\$ 2,000.56	\$ 1,801.97	\$ 2,031.75	10.90	11.30
								11.30
12"	x	4	\$ 1,038.33	\$ 1,133.60	\$ 1,093.89	\$ 1,272.60	12.10	12.50
		6	\$ 1,142.50	\$ 1,254.26	\$ 1,243.78	\$ 1,346.48	12.50	12.90
		8	\$ 1,469.85	\$ 1,660.46	\$ 1,561.67	\$ 1,717.20	12.90	13.30
		10	\$ 1,810.03	\$ 2,096.38	\$ 1,918.23	\$ 2,149.06	13.30	13.60
		12	\$ 2,099.38	\$ 2,428.81	\$ 2,278.75	\$ 2,489.11		
14"	x	4	\$ 1,086.71	\$ 1,178.15	\$ 1,154.62	\$ 1,291.21	13.60	14.05
		6	\$ 1,197.96	\$ 1,296.72	\$ 1,304.00	\$ 1,462.86	14.05	14.50
		8	\$ 1,575.22	\$ 1,728.77	\$ 1,679.21	\$ 1,865.25	14.50	14.95
		10	\$ 1,926.47	\$ 2,166.96	\$ 2,038.50	\$ 2,285.21	14.95	15.40
		12	\$ 2,225.36	\$ 2,527.48	\$ 2,403.67	\$ 2,645.78	15.30	15.75

All dimensions are in inches

Continued...

Note: Size on size for IPS OD is not available

When ordering a Mild Steel tapping sleeves, price is determined by the flange size and not by working range.

The working range is only a guideline, other ranges can be fabricated

## ROBAR INDUSTRIES LTD.

BC Phone (604) 591-8811 / 1-800-663-6553

Fax (604) 591-5288

Email waterworks@robarindustries.com

## LES PRODUITS INDUSTRIELS ROBAR INC.

QUEBEC Phone (450) 441-7525 / 1-800-315-9525

Fax (450) 441-4894

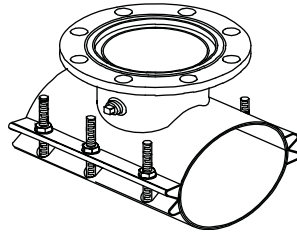
Web www.Robarindustries.com



# Carbon Steel MJ Tapping Sleeve

6808, 6806, 6908, 6906

PRICE INFORMATION



Nominal Pipe Size	By x	Outlet Size	LIST PRICE				Working Range	
			PRICE 6808MJ	PRICE 6806MJ	PRICE 6908MJ	PRICE 6906MJ	LOW	HIGH
16"	x	4	\$ 1,137.05	\$ 1,211.17	\$1,222.53	\$ 1,334.14	15.75	16.15
		6	\$ 1,253.57	\$ 1,334.53	\$1,357.70	\$ 1,503.14	16.15	16.60
		8	\$ 1,651.03	\$ 1,803.52	\$1,746.10	\$ 1,966.56	16.60	17.05
		10	\$ 2,025.59	\$ 2,259.82	\$2,143.63	\$ 2,395.39	17.05	17.50
		12	\$ 2,340.00	\$ 2,596.32	\$2,499.53	\$ 2,756.55	17.40	17.85
18"	x	4	\$ 1,204.73	\$ 1,284.53	\$1,296.54	\$ 1,383.52	17.85	18.30
		6	\$ 1,321.82	\$ 1,411.74	\$1,432.93	\$ 1,562.56	18.30	18.75
		8	\$ 1,717.32	\$ 1,862.61	\$1,819.21	\$ 2,038.29	18.75	19.20
		10	\$ 2,099.38	\$ 2,342.74	\$2,215.67	\$ 2,476.57	19.20	19.65
		12	\$ 2,445.86	\$ 2,667.22	\$2,620.05	\$ 2,838.07	19.50	19.95
20"	x	4	\$ 1,242.02	\$ 1,327.62	\$1,371.53	\$ 1,473.96	19.90	20.40
		6	\$ 1,383.17	\$ 1,451.55	\$1,494.30	\$ 1,630.47	20.40	20.90
		8	\$ 1,778.16	\$ 1,948.64	\$1,893.34	\$ 2,170.35	20.90	21.40
		10	\$ 2,224.12	\$ 2,408.57	\$2,367.10	\$ 2,603.24	21.40	21.90
		12	\$ 2,566.23	\$ 2,734.76	\$2,733.42	\$ 2,966.58	21.90	22.15
							22.15	22.70
							22.70	23.25
24"	x	4	\$ 1,309.84	\$ 1,421.11	\$1,445.66	\$ 1,604.84	23.60	24.15
		6	\$ 1,457.98	\$ 1,544.33	\$1,593.07	\$ 1,809.51	24.15	24.70
		8	\$ 1,895.54	\$ 2,093.42	\$2,004.00	\$ 2,310.68	24.70	25.25
		10	\$ 2,358.71	\$ 2,593.79	\$2,509.14	\$ 2,788.95	25.25	25.80
		12	\$ 2,702.57	\$ 2,904.40	\$2,904.68	\$ 3,153.88	25.60	26.00

All Dimensions are in inches

Note: When ordering a Mild Steel tapping sleeve, price is determined by the flange size and not by working range.  
The working range is only a guideline, other ranges can be fabricated

## ROBAR INDUSTRIES LTD.

BC Phone (604) 591-8811 / 1-800-663-6553  
Fax (604) 591-5288  
Email waterworks@robarindustries.com

## LES PRODUITS INDUSTRIELS ROBAR INC.

QUEBEC Phone (450) 441-7525 / 1-800-315-9525  
Fax (450) 441-4894  
Web www.Robarindustries.com