



# 3506

## SEWER SADDLE



### APPLICATIONS

The ROBAR **Sewer Saddle** allows a 4" inlet branch to be taken off the main sewer line at a 45 degree angle. Available thru 48" nominal sizes.

### MATERIAL SPECIFICATIONS

<b>Body:</b>	Ductile Iron
<b>Strap:</b>	1 1/2" wide T-304 Stainless Steel, 24 gauge Fully passivated
<b>Bolts &amp; Nuts:</b>	T-304 Stainless Steel Nuts coated with anti-galling compound
<b>Gasket:</b>	Nitrile (NBR) Rubber
<b>Coating:</b>	<b>3506</b> – Corrosion Protective epoxy coated

### HOW TO ORDER

Determine the product number (**3506**), the OD of sewer main and the actual OD of the branch, then order by using the appropriate ordering code as shown in the following example.  
If a 4" branch (4.50" OD) off of a 12" HDPE sewer main is required, the ordering code is:

Product Number		Main OD		Branch OD
<b>3506</b>	-	<b>12.75"</b>	x	<b>4.50"</b>
i.e. <b>3506 - 12.75 x 4.50</b>				

MAIN SIZE (ACTUAL PIPE OD)	BRANCH SIZE (ACTUAL PIPE OD)	RUBBER BOOT SIZE (MARKINGS)	CAST BODY	STRAP LENGTH
6" - 10" (6.27" - 12.75")	4" SDR 35 (4.215")	6" - 12"	WINGED BODY (4L)	36"
	4" IPS (4.5")			
12" (12.75" - 14.40")	4" SDR 35 (4.215")	6" - 12"	STANDARD BODY (4")	48"
	4" IPS (4.5")			
14" - 24" (14.40" - 25.80")	4" SDR 35 (4.215")	14" - 48"	STANDARD BODY (4")	96"
	4" IPS (4.5")			
24" - 48" (25.80" - 54.00")	4" SDR 35 (4.215")	14" - 48"	STANDARD BODY (4")	192"
	4" IPS (4.5")			

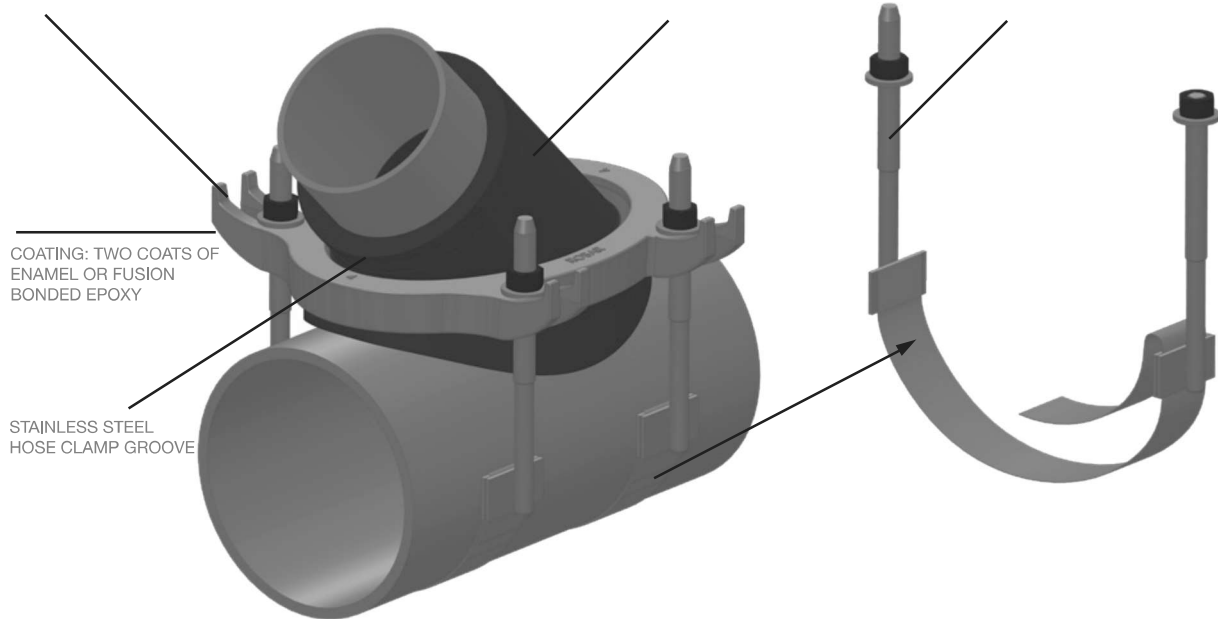
CASTING: CAST DUCTILE IRON PER ASTM A536

SADDLE BODY: NITRILE (NBR) RUBBER PER ASTM D2000. FORMULATED WITH ANTI-FREEZING AND ANTI-OZONE AGENT

STRAP: T-304 STAINLESS STEEL, FULLY PASSIVATED. ADJUSTABLE TO ACCOMMODATE A LARGE RANGE OF PIPE SIZES

COATING: TWO COATS OF ENAMEL OR FUSION BONDED EPOXY

STAINLESS STEEL HOSE CLAMP GROOVE



Note: Maximum 15 PSI working pressure

### ROBAR INDUSTRIES LTD.

www.robarindustries.com  
waterworks@robarindustries.com

Surrey, British Columbia  
Phone: 1-800-663-6553

Saint-Bruno, Quebec  
Phone: 1-800-315-9525