



1696-2B COUPLING

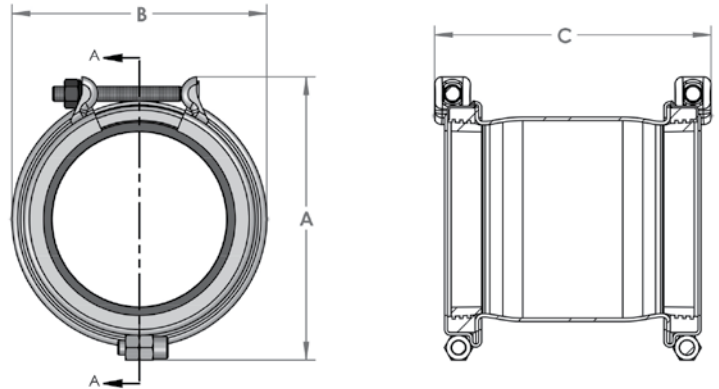


APPLICATIONS

The **NEW ALL STAINLESS STEEL ROBAR** two bolt coupling can be used to couple dissimilar pipe diameters in the same nominal size group. The coupling is a stab-fit design allowing for the use on IPS/HDPE, DI/PVC and AC pipe without disassembling the coupling. Completely fabricated from stainless steel material minimizing corrosion attacking the coupling.

MATERIAL SPECIFICATIONS

| | |
|-----------------------|---|
| Center Barrel: | T-304 Stainless Steel |
| End Rings: | T-304 Stainless Steel |
| Gaskets: | Nitrile (NBR) Rubber |
| Fasteners: | 5/8" T-304 Stainless Steel Torque is 80 ft. lbs. |
| PSI Rating: | 4" through 8" – 305psi 10" & 12" – 200psi |



| NOMINAL SIZE | OVERALL RANGE | INNER GASKET RANGE | OUTER GASKET RANGE | A | B | C | WEIGHT LBS. |
|--------------|---------------|--------------------|--------------------|--------|--------|-------|-------------|
| 4 | 4.46 - 5.63 | 4.46 - 5.03 | 4.97 - 5.63 | 9.55 | 8.90 | 11.70 | 17 |
| 6 | 6.56 - 7.63 | 6.56 - 7.13 | 7.07 - 7.63 | 11.95 | 10.80 | 11.70 | 21 |
| 8 | 8.54 - 9.84 | 8.54 - 9.17 | 9.13 - 9.84 | 14.20 | 12.95 | 11.70 | 25 |
| 10 | 10.70 - 11.90 | 10.70 - 11.30 | 11.25 - 11.90 | 16.75 | 15.50 | 11.00 | 41 |
| 10 OS | 11.00 - 12.25 | 11.00 - 11.65 | 11.60 - 12.25 | 17.125 | 15.875 | 11.00 | 44 |
| 12 | 12.70 - 13.80 | 12.70 - 13.30 | 13.25 - 13.80 | 18.75 | 17.50 | 11.00 | 46 |
| 12 OS | 13.15 - 14.40 | 13.15 - 13.80 | 13.75 - 14.40 | 19.00 | 18.00 | 11.00 | 51 |

Note: - Angular deflection up to 7 degrees
- The use of a pipe insert is required when using on HDPE

All dimensions are in inches.



This product is tested and certified by WQA to NSF/ANSI standard 61

CAUTION  Couplings do not prevent pipe pullout. Suitable restraint should be used when required.

ROBAR INDUSTRIES LTD.

www.robarindustries.com
waterworks@robarindustries.com

Surrey, British Columbia
Phone: 1-800-663-6553

Saint-Bruno, Quebec
Phone: 1-800-315-9525