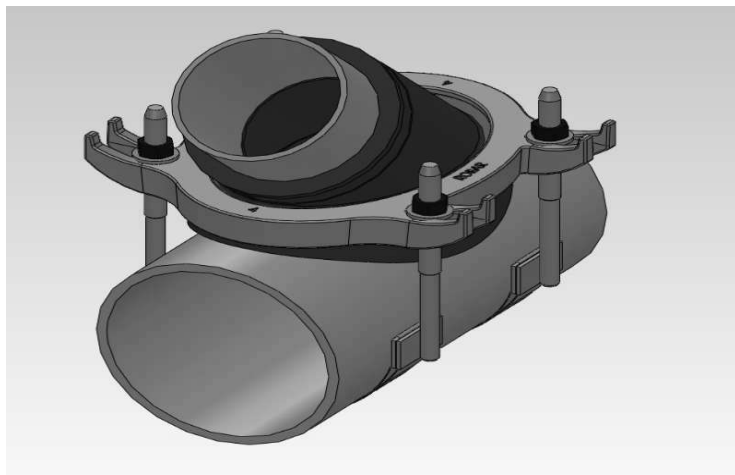




3506 SEWER SADDLE

45 degree Outlet
PRICE INFORMATION

**Standard Sizes:**

6" to 48" Nominal Pipe OD on main line, 4" IPS & SDR inlet line. Sizes other than those specified may be ordered by contacting ROBAR.

Material Specification:

Body: Cast Ductile Iron per ASTM A536

Gasket: NBR per ASTM D2000 formulated with Anti-freezing and anti-ozone agent

Strap: 1-1/2" wide T-304 Stainless steel, 24 gauge, fully passivated

			LIST PRICE
Nominal Pipe Size	Working Range	Strap Length	3506 Epoxy
6" - 10"	6.27" - 12.75"	36"	\$ 272.56
12"	12.75" - 14.40"	48"	\$ 286.94
14" - 24"	14.40" - 25.80"	96"	\$ 306.44
26" - 48"	25.80" - 54.00"	192"	\$ 421.11

Must specify when ordering which gasket size is required. 4.21" or 4.50"

HOW TO ORDER:

Determine the product number (3506), the OD of sewer main and the actual OD of the branch, then order by using the appropriate ordering code as shown in the following example.

If a 4" branch (4.50"OD) off a 12" HDPE sewer main is required, the ordering code is:

3506 - 12.75" x 4.50"

ROBAR INDUSTRIES LTD.

BC Phone (604) 591-8811 / 1-800-663-6553
Fax (604) 591-5288
Email: waterworks@robarindustries.com

LES PRODUITS INDUSTRIELS ROBAR INC.

QUEBEC Phone (450) 441-7525 / 1-800-315-9525
Fax (450) 441-4894
Web: www.Robarindustries.com