



# 1696-2B COUPLING

The **NEW all stainless steel 1696 two bolt coupling** can be used to couple dissimilar pipe diameters in the same nominal size group. The coupling is a stab-fit design allowing for the use on IPS/HDPE, DI/PVC and AC pipe without disassembling the coupling. Completely fabricated from stainless steel material minimizing corrosion attacking the coupling.



These products are tested and certified by WQA to NSF/ANSI standard 61

**ROBAR INDUSTRIES LTD.**

**Surrey, British Columbia**

Phone 604-591-8811 Toll Free 1-800-663-6553 Fax 604-591-5288

**Saint-Bruno, Quebec**

Phone 450-441-7525 Toll Free 1-800-315-9525 Fax 450-441-4894

**Website: [www.robarindustries.com](http://www.robarindustries.com) / E-mail: [waterworks@robarindustries.com](mailto:waterworks@robarindustries.com)**

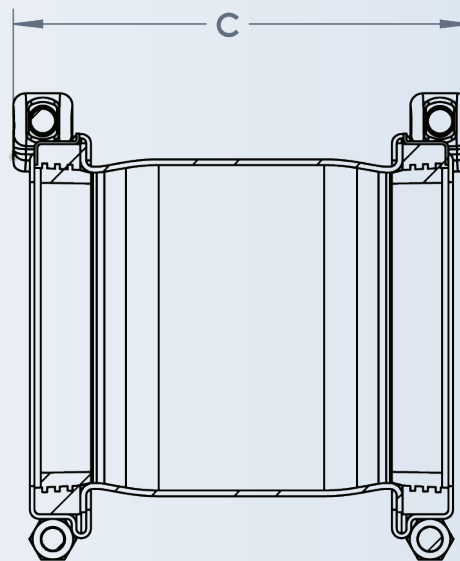
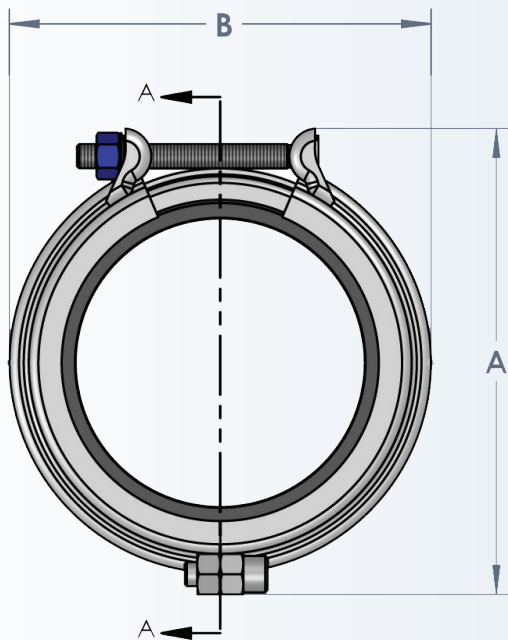


# 1696-2B COUPLING

NOMINAL SIZE	OVERALL RANGE	INNER GASKET RANGE	OUTER GASKET RANGE	FOR USE ON THESE PIPES	A	B	C	WEIGHT LBS.
4	4.46 - 5.63	4.46 - 5.03	4.97 - 5.63	HDPE* Steel PVC DI AC Pipe	10.25	8.90	11.00	19
6	6.56 - 7.63	6.56 - 7.13	7.07 - 7.63		12.25	11.00	11.00	24
8	8.54 - 9.84	8.54 - 9.17	9.13 - 9.84		14.50	13.63	11.00	31
10	10.70 - 11.90	10.70 - 11.30	11.25 - 11.90		16.75	15.50	11.00	41
10 OS	11.00 - 12.20	11.00 - 11.65	11.55 - 12.20		17.125	15.875	11.00	44
12	12.70 - 13.80	12.70 - 13.30	13.25 - 13.80		18.75	17.50	11.00	46
12 OS	13.15 - 14.40	13.15 - 13.80	13.75 - 14.40		19.00	18.00	11.00	51

\*The use of a pipe insert is required when coupling HDPE

All dimensions are in inches



4-8" couplings are rated for 305 PSI working pressure

10 & 12" couplings are rated for 250 PSI working pressure

## MATERIAL SPECIFICATIONS

ITEM	PART NAME	MATERIAL	SPECIFICATION
1	End Ring	T-304 Stainless Steel*	
2	Center Barrel	T-304 Stainless Steel*	
3	Gasket	NBR (BUNA N) Rubber	AWWA CIII
4	Bolts and Nuts	5/8" T-304 Stainless Steel*	AWWA CIII

\*Passive Stainless Steel

## ROBAR INDUSTRIES LTD.

Surrey, British Columbia

Saint-Bruno, Quebec

Phone 604-591-8811 Toll Free 1-800-663-6553 Fax 604-591-5288

Phone 450-441-7525 Toll Free 1-800-315-9525 Fax 450-441-4894

Website: [www.robarindustries.com](http://www.robarindustries.com) / E-mail: [waterworks@robarindustries.com](mailto:waterworks@robarindustries.com)